

1150-1183 BUTTERFLY VALVES + TCR ELECTRICAL ACTUATOR

FEATURES

1150-1183 butterfly valves are intended for the automatic opening /closing of very diverse fluid pipes. The valve body is made of GS cast iron. The different configurations of the butterfly materials and of the liner make it suitable for many applications. Wafer mounting with centring ears between PN10/16 and ANSI 150 flanges. The ISO 5211 mounting pad enables the TCR actuator to be directly assembled. The latter is suitable for S4-type service factor, installed indoors or outdoors under shelter. Many available options.



LIMITS OF USE

Fluid pressure: PS	16 bar up to DN 300 10 bar up to DN 400
Fluid temperature: WT	According to the table below
Ambient temperature	-20°C / +60°C
Service factor	S4 – 50%



AVAILABLE MODELS

DN 32-40 to DN 150

Connection between flanges PN10/16 and ANSI 150 RF

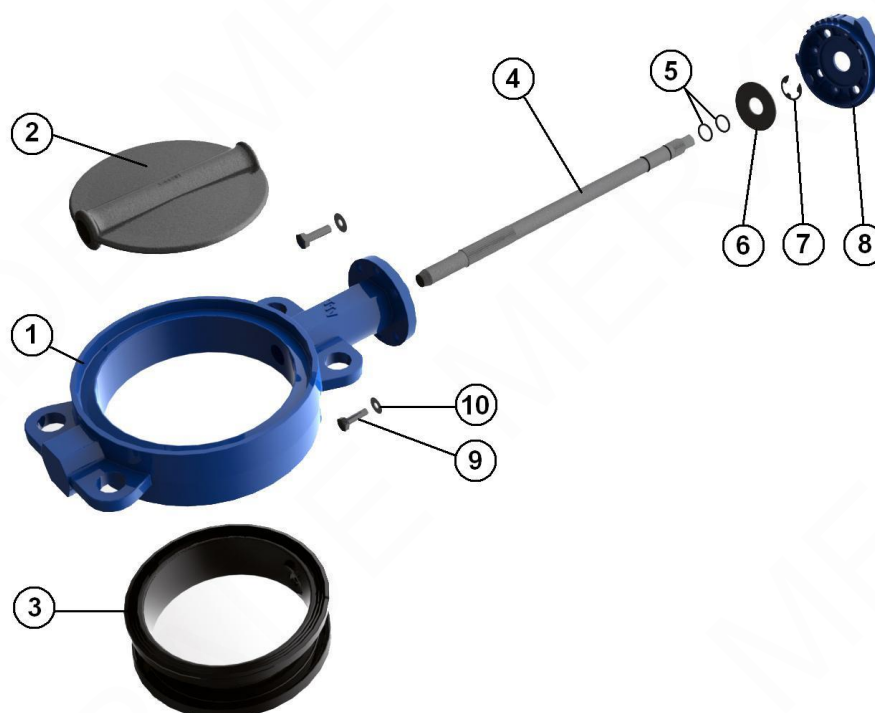
Supply voltages: 24V CC, 24 V CA and 230 V CA

Ref.	Butterfly	Liner	Example of applications	WT° min	WT° max
1141	GS cast iron	NBR	Natural gas – NF-ROB GAZ authorisation 5 bar	-10°C	+60°C
1147	316 SS	NBR carboxyl	Powdery - abrasive	-10°C	+90°C
1149	316 SS	EPDM heat	Hot water	-10°C	+130°C
1150	GS cast iron	EPDM	Cold water – warm water (110°C at peak) - ACS	-10°C	+90°C
1151	316 SS	NBR	Hydrocarbon, natural gas, compressed air	-10°C	+90°C
1152	GS cast iron	NBR	Hydrocarbon, natural gas, compressed air	-10°C	+90°C
1153	316 SS	EPDM	Demineralised water – alkalis (110°C at peak) - ACS	-10°C	+90°C
1154	316 SS	FPM	Compatible aggressive fluids, petrol	-5°C	+150°C
1156	316 SS	White NBR	Compatible food fluids	-10°C	+80°C
1157	316 SS	SILICONE	Oils and fat	-15°C	+150°C
1158	Copper-alu	NBR	Seawater	-10°C	+80°C
1183	Polished stainless steel	Food SILICONE	Food fluids (FDA authorisation)	-15°C	+150°C

1150-1183 BUTTERFLY VALVES + TCR ELECTRICAL ACTUATOR

DIRECTIVES AND MANUFACTURING STANDARDS

OBJECT	Standard	ON	OBJECT	Standard
Pressure Equipment Directive 2014/68/EC	Cat. III modules B+C1	0409	Final test	ISO 5208:
ATEX Directive	II 2G/D Tx zones 1,2,21 and 22	0038	Face-to-face dimension	ISO 5752 series 20
Flange dimension	EN 1092-1		Connection Motorisation	ISO 5211:
Sanitary conformity	ACS No. 07 ACC LY 504			

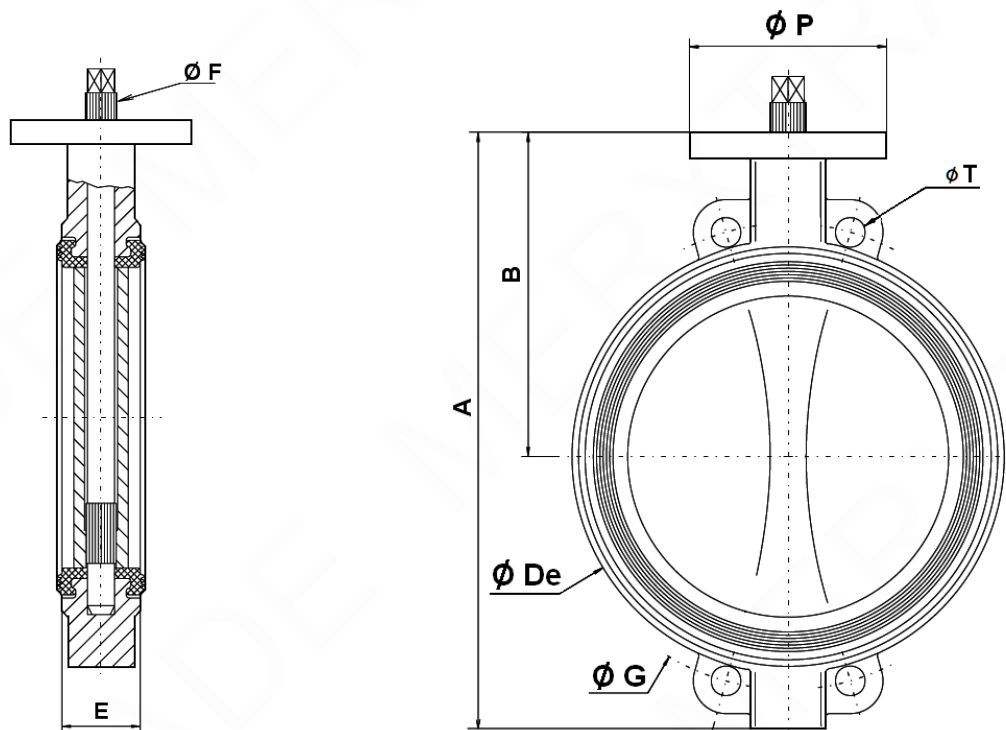


CONSTRUCTION

No.	Name	1147	1149	1141	1150	1152	1151	1153	1154	1156	1157	1183	1158	
1	Body	GS EN GJS-500-7 cast iron												
2	Butterfly DN32-100	1.4408 SS												
3	Butterfly DN125-400	GS cast iron	stainless steel	GS EN GJS-500-7 cast iron			1.4408 SS						Mirror-polished stainless steel	Copper-alu
3	Liner	NBR carboxyl	EPDM heat	NBR Gas	EPDM	NBR	NBR	EPDM	FPM	White NBR	Silicone	Food-grade silicone	NBR	
4	Stem	304 SS	304 SS	304 SS	420 SS	420 SS	304 SS	304 SS	304 SS	304 SS	304 SS	304 SS	304 SS	
5	O-ring	NBR	NBR	NBR	EPDM	NBR	NBR	EPDM	FPM	NBR	EPDM	EPDM	NBR	
6	Ring	steel												
7	Circlips	steel												
8	ISO mounting pad	aluminium												
9	Screw	5.6 steel												
10	Washer	steel												

1150-1183 BUTTERFLY VALVES + TCR ELECTRICAL ACTUATOR

DIMENSIONS (mm)



DN	32-40	50	65	80	100	125	150	200	250	300	350	400
A	206	228	243	266	294	324	349	438	461	523	582	645
B	140	156	162	170	185	207	216	256	248	280	300	340
Ø De	82	102	119	135	155	185	208	270	328	381	437	486
E	33	43	46	46	52	56	56	60	68	78	78	102
Ø F	10.5	10.5	14.5	16.5	16.5	18.5	18.5	22.5	25.5	30.5	30.5	35.5
Ø G	110	125	145	160	180	210	240	295	350	400	460	515
Ø P	88	88	88	88	88	105	105	105	150	150	170	170
Ø T	18	18	18	18	18	18	23	23	23	23	23	17
Weight (kg)	2.46	3.66	4.40	4.60	6	7.60	9.20	14.7	24.7	33	39	52

FLOW-RATE COEFFICIENT Kv (m³/h)

DN	32-40	50	65	80	100	125	150	200	250	300	350	400
Kv	70	109	200	334	551	901	1427	2383	3825	5659	8177	10659

1150-1183 BUTTERFLY VALVES + TCR ELECTRICAL ACTUATOR

TCR ELECTRICAL MOTORISATION

The TCR motorisation proposed as standard comprises:

- IP67 plastic housing for actuator and steel gear box,
- a safety coefficient of 1.3 minimum compared to the nominal torque of the valve,
- an upstream / downstream pressure difference $\Delta P=10$ bar max.

The actuator's assembly is direct.

DN	Actuator	Power 230V AC / 24V AC/DC	Time 230V AC	Time 24 V AC-DC	Standard equipment of the actuator
32-40	TCR-05N	25	12s	12s	2 adjustable limit switches 2 dry auxiliary contacts Thermal protection of the motor 2-3W anti-condensation resistance Stand-by manual control with key 3D Position visual indicator Electrical connection: TCR05: 1 x PE M20 + 1.5m cable TCR11: 2 x PE M14 + 1.5m cable
50	TCR-05N	25	12s	12s	
65	TCR-05N	25	12s	12s	
80	TCR-05N	25	12s	12s	
100	TCR-05N	25	12s	12s	
125	TCR-11N	100	10s	10s	

For any other operating conditions, please contact us.

* indicative time for actuator running empty

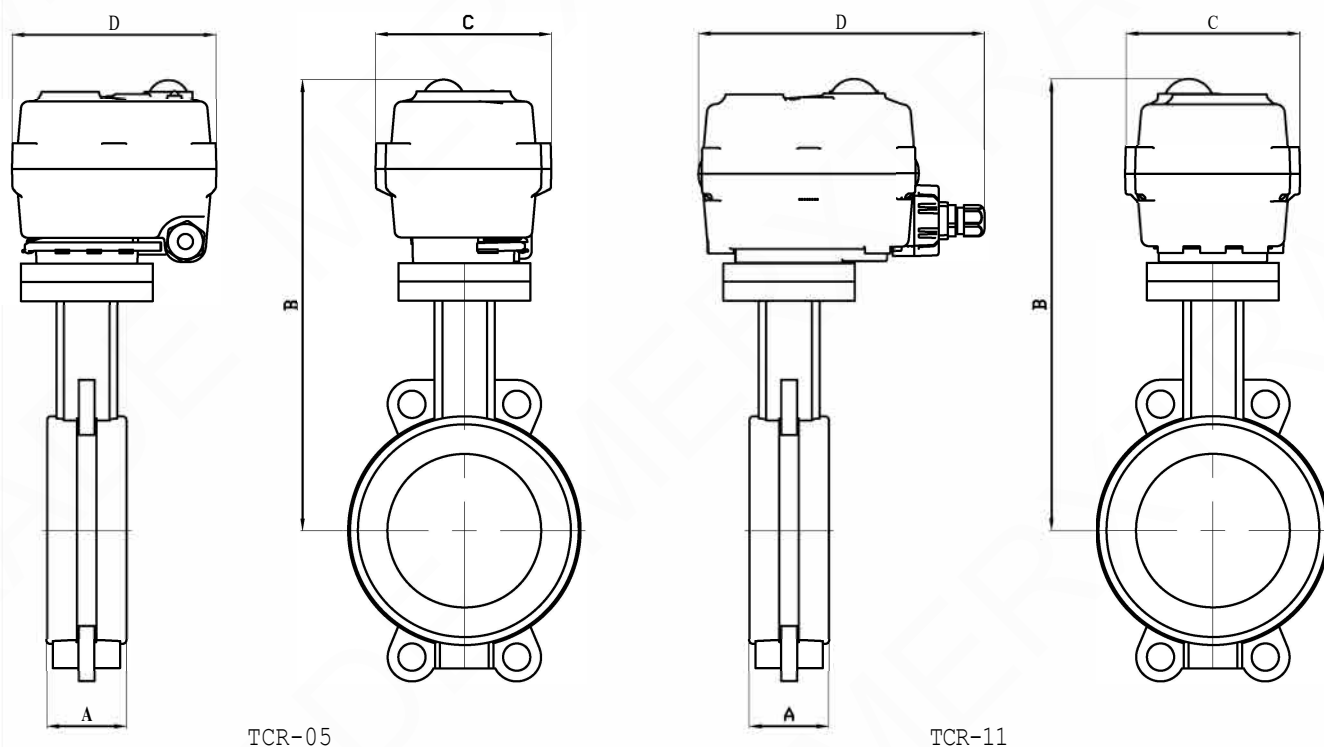
MOTORISATION OPTIONS

There are many options, so please contact our sales service for more information on these:

1	NF actuator – return via condenser – TCR-KT32
2	High-speed actuator - TRC-NH
3	Smart actuator with manoeuvring time adjustment - TCR-C
4	Control actuator – TCR-T
5	NF control actuator – return via condenser – TCR-T-KT32
6	Field bus actuator - TCR-B
7	Actuator with in-built timer – TCR-D
8	Wireless actuator – TCR-R

OPTIONS ON THE VALVE

1	Carbon steel body, 304 and 316 SS, bronze and aluminium
2	Carbon steel butterfly, 304 and 316 SS, copper-alu, Uranus, Hastelloy
3	Hypalon liner, silicone steam, white EPDM, natural rubber, neoprene, vulcanised
4	Stems of 420, 304, 316 SS, Hastelloy



TCR-05

TCR-11

* :Montage avec platine H=5MM

DN	32-40	50	65	80	100	125
SERVO	TCR05	TCR05	TCR05	TCR05	TCR05	TCR11
A	33	43	46	46	52	56
B	261	277	282	290	313	328
C	111	111	111	111	111	115
D	132	132	132	132	132	165
KG	4,3	5,23	5,9	6,4	7,8	10,8

TCR-N ELECTRICAL ACTUATOR

FEATURES

The TCR-N electric actuators are intended for motorising ¼ turn valves with a torque of 15, 20, 50 or 110 Nm. With a compact construction and plastic housing, they are especially well suited for motorising small size ball valves. Several variants offer advanced functions. IP67 leak-tightness: to be used indoors and, possibly, outdoors under a shelter. Possible installation in parallel. Manual control with a key.

AVAILABLE MODELS

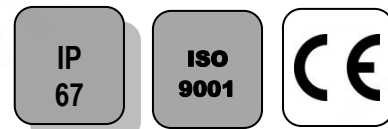
Supply voltages: 230V AC, 24V AC/DC, 12V DC.

LIMITS OF USE

IP Code	IP 67
Ambient temperature	- 20°C / +60°C
Service factor	S4-50%

MECHANICAL FEATURES

Gear box	treated steel pinions
Torques	15 - 20 - 50 - 110 Nm
Angle of rotation	90° +/- 2°
Declutching	without
Override control	By key



Actuator	TCR 02N			TCR 05N			TCR 11N		
Torques (Nm)	15	20	20	50			110		
Voltage	12V DC	24V AC-DC	95-265V AC-DC	12VDC	24V AC-DC	95-265V AC-DC	12V DC	24V AC-DC	95-265V AC-DC
Manoeuvring time (s)	15	10	10	12	12	12	10	10	10
ISO 5211:	F03/F04/F05 - star 11			F05/F07 - star 14			F05/F07 - star 17		

ELECTRICAL FEATURES

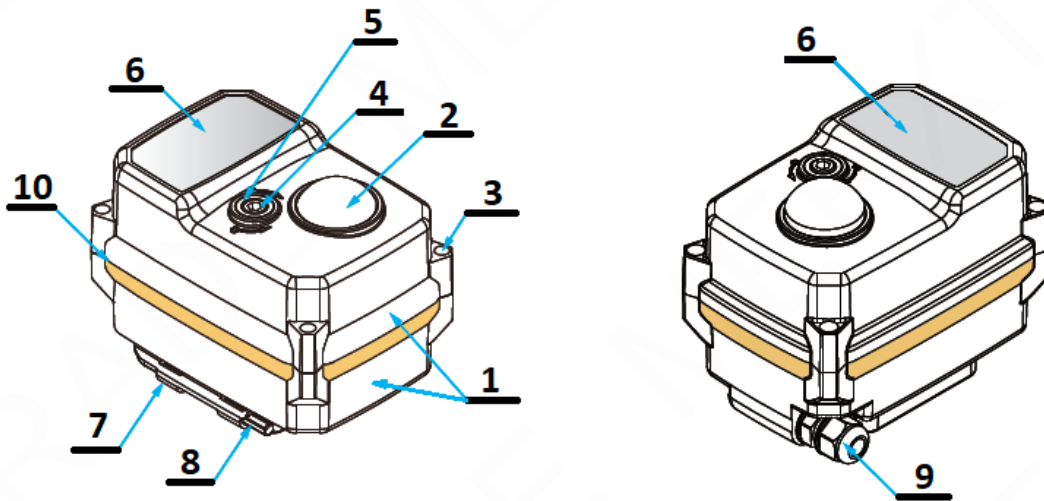
Actuator	TCR 02N		TCR 05N		TCR 11N	
Motor protection	Thermal switch					
Limit switches	2 adjustable switches					
Auxiliary switches	2 adjustable dry switches					
Anti-condensation	integrated					
Electrical connection	PE M10 + 1.5m cable		PE M20 + 1.5m cable		2 x PE M14	

Actuator	TCR 02N			TCR 05N			TCR 11N		
Voltage	12V DC	24V AC-DC	95-265V AC-DC	12V DC	24V AC-DC	95-265V AC-DC	12V DC	24V AC-DC	95-265V AC-DC
Power (W)	15	15	15	25	25	25	100	100	100
Current (A)	1,5	1,5	0,09	1,67		0,18 - 0,37	2,5		0,3 - 0,6
Fuse Protection (A)	5	5	1	8		1 - 2	5		2 - 3

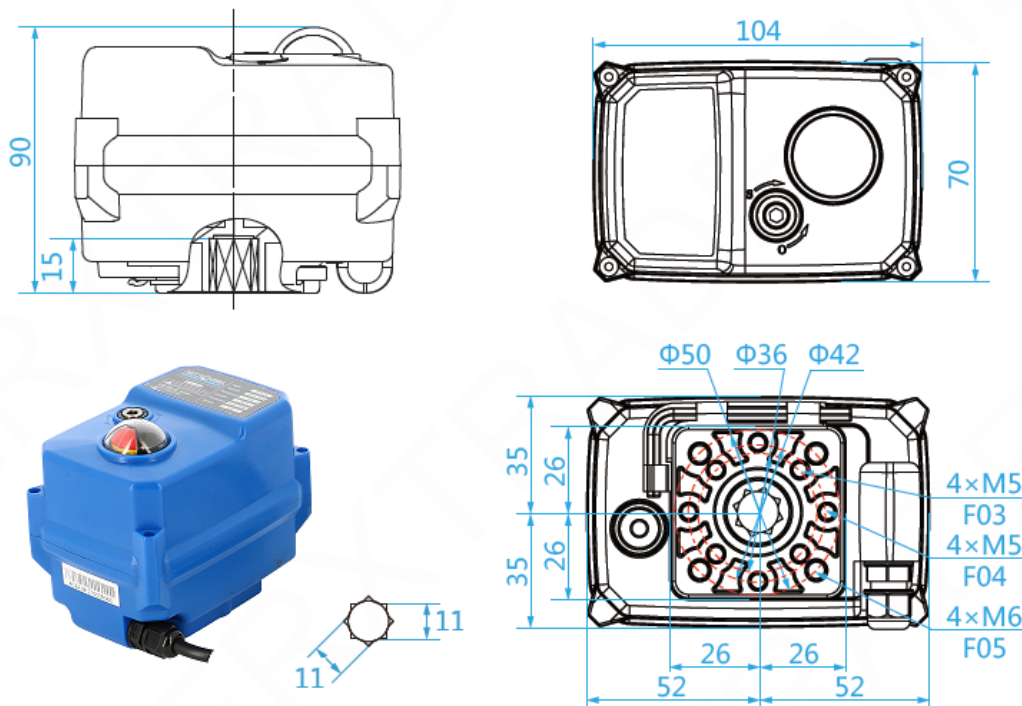
TCR-N ELECTRICAL ACTUATOR

CONSTRUCTION (TCR-02N)

TCR-02N					
No.	Name	Material	No.	Name	Material
1	Casing + lid	Plastic (ABS)	6	Rating plate	PVC
2	Position indicator	Polycarbonate plastic	7	Key support	Plastic (ABS)
3	Screw x 4	Aisi 304	8	Hex key	Steel
4	Backup control stem	Aisi 304	9	Packing gland	Nylon
5	Gasket	NBR	10	Cover gasket	NBR
Weight (kg): 0.620					



DIMENSIONS (mm)

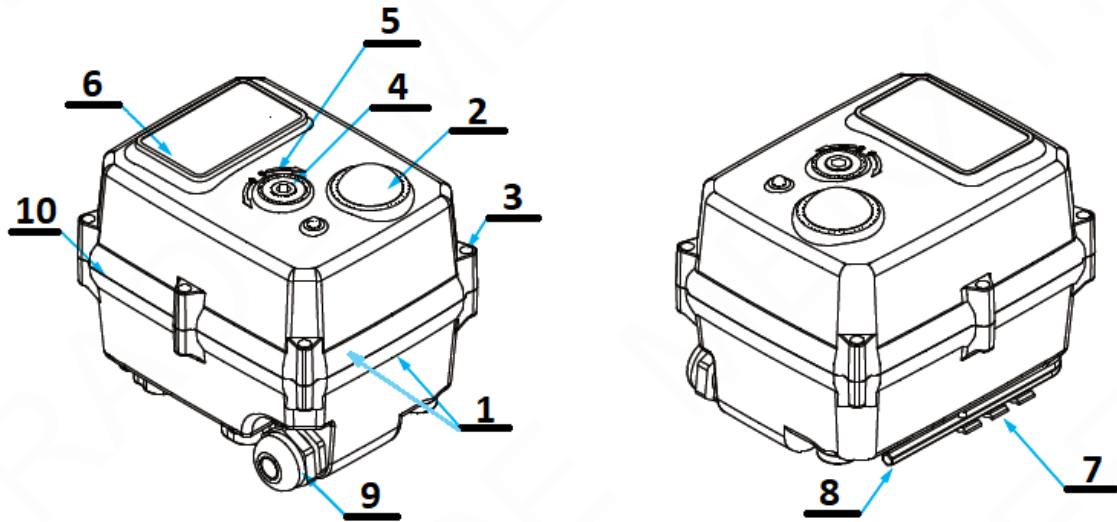


TCR-N ELECTRICAL ACTUATOR

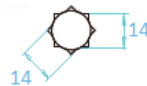
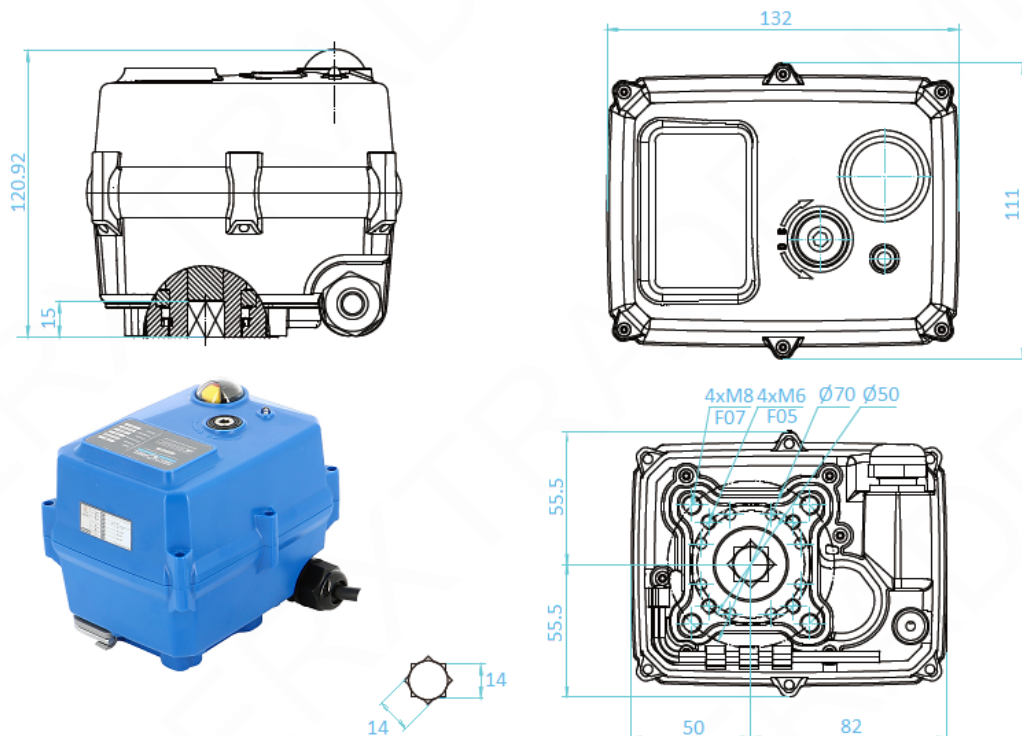
CONSTRUCTION (TCR-05N)

TCR-05N					
No.	Name	Material	No.	Name	Material
1	Casing + lid	Plastic (ABS)	6	Rating plate	PVC
2	Position indicator	Polycarbonate plastic	7	Key support	Plastic (ABS)
3	Screw x 6	Aisi 304	8	Hex key	Steel
4	Backup control stem	Aisi 304	9	Packing gland	Nylon
5	Gasket	NBR	10	Cover gasket	NBR

Weight (kg): 1.800



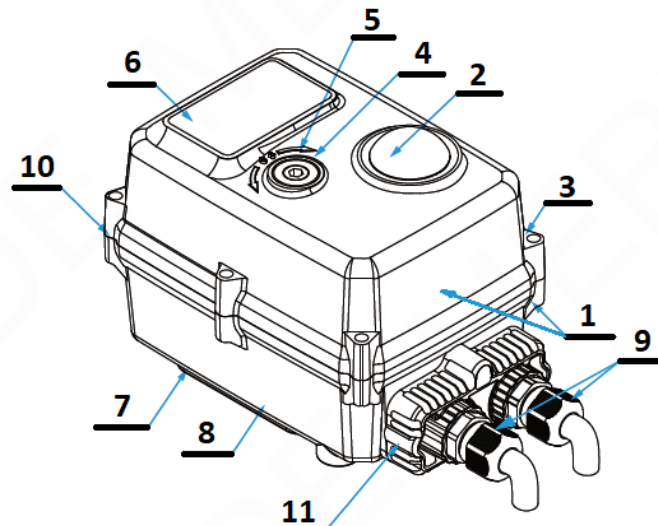
DIMENSIONS (mm)



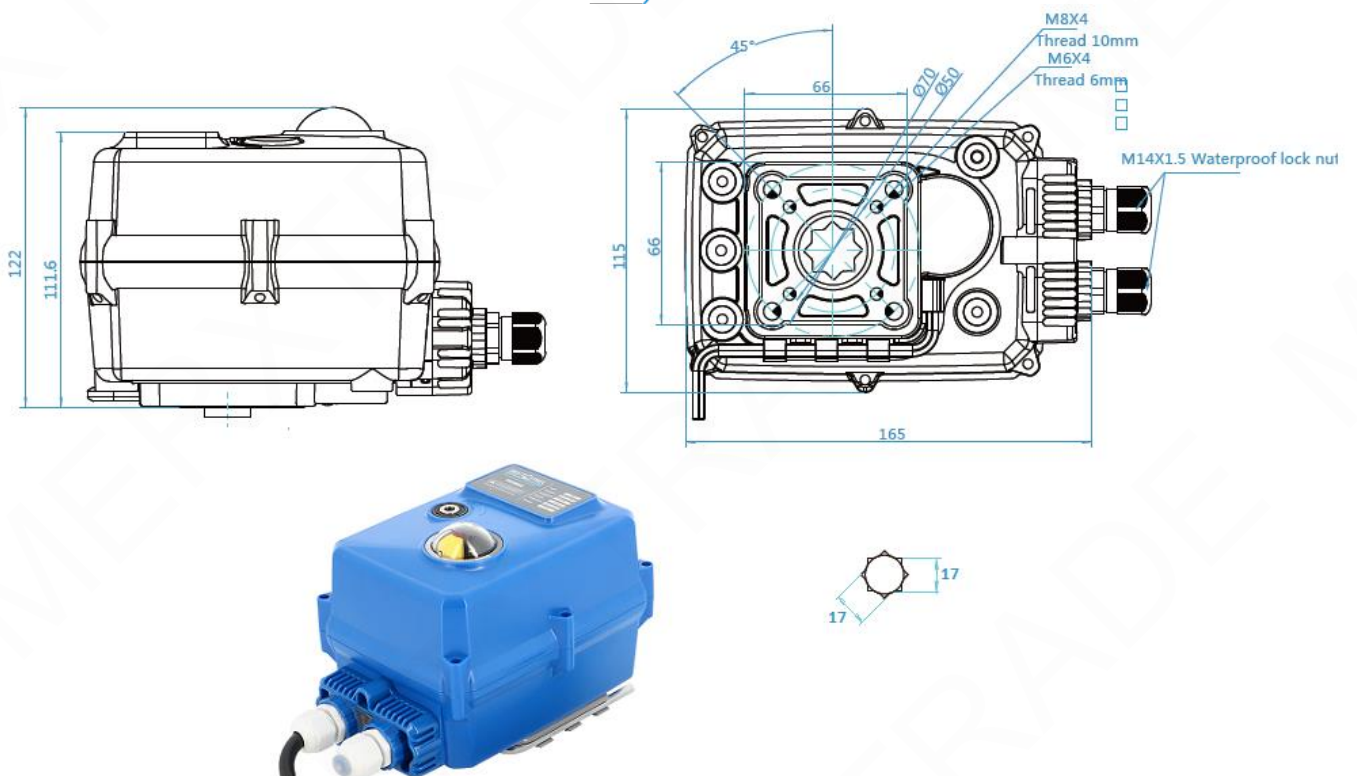
TCR-N ELECTRICAL ACTUATOR

CONSTRUCTION (TCR-11N)

TCR-11N					
No.	Name	Material	No.	Name	Material
1	Casing + lid	Plastic (ABS)	6	Rating plate	PVC
2	Position indicator	Polycarbonate plastic	7	Key support	Plastic (ABS)
3	Screw x 6	Aisi 304	8	Hex key	Steel
4	Backup control stem	Aisi 304	9	X 2Packing gland	Nylon
5	Gasket	NBR	10	Cover gasket	NBR
Weight (kg): 2.200			11	Cable gland unit	Plastic (ABS)



DIMENSIONS (mm)



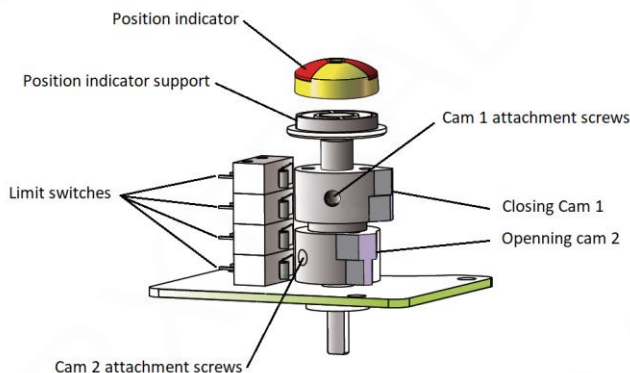
TCR-N ELECTRICAL ACTUATOR

WIRING DIAGRAM

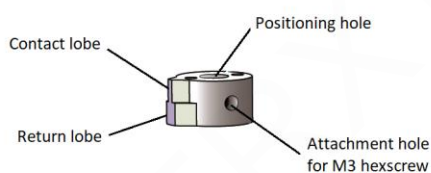
BU	Neutral (Blue)
RD	Closing control (Red)
BK	Opening control (Black)
WT	Information return to common (White) <u>Dry switch</u> : 230V AC max 50 mA 230V DC max 500 mA
GY	Opening return information (Grey) <u>Dry switch</u> : 230V AC max 50 mA 230V DC max 500 mA
BR	Closing return information (Brown) <u>Dry switch</u> : 230V AC max 50 mA 230V DC max 500 mA
Y/G	Earth (Yellow / Green)

Black --> BK
Red --> RD
Blue --> BU
Grey --> GY
White --> WT
Brown --> BR
Yellow/Green --> Y/G

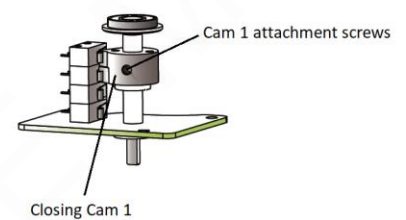
SWITCH SETTING



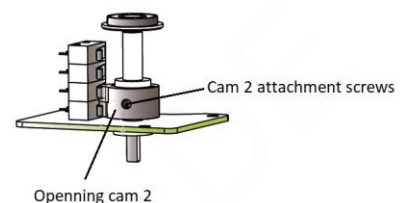
GENERAL VIEW



CAM DETAIL



CLOSING CAM ADJUSTMENT



OPENING CAM ADJUSTMENT

TCR-N ELECTRICAL ACTUATOR

TROUBLESHOOTING

Defect met	Cause of defect	Method of solving
Inactive actuator	Non-connected electrical grid.	Connect to the electrical grid.
	Wrong voltage.	Check the actuator's voltage.
	Motor overheating.	Check the torque on the valve.
	Faulty connection.	Check the connection to the terminal box.
	Damaged start capacitor.	Contact the supplier for repair.
No switch signal	Faulty connection.	Check the connections.
	Damaged microswitch	Change the microswitch
Valve that is not fully closed	Use the return signal from the actuator check.	Receiving a return signal does not mean that the actuator is fully closed, hence do not cut the power supply.
	The hysteresis increases due to wear or between the actuator and the valve's stem.	Readjust the limit cams. Contact the supplier for repair.
Presence of humidity or water in the actuator	Unsuitable cable cross-section being used.	Contact the supplier for repair.
	The cable connection is not leak-tight.	
	Worn sealing gaskets.	
	Loose cover screws.	Dry the internal parts and tighten the cover screws.

TCR-N-KT CAPACITOR RETURN ELECTRICAL ACTUATOR

FEATURES

The TCR-N-KT electric actuators are intended for motorising ¼ turn valves with a torque of 15, 45, 95 or 110 Nm. **Capacitor return function:** the closing manoeuvre is provided by a capacitor. With a compact construction and plastic housing, they are especially well suited for motorising small size ball valves. IP67 leak-tightness: to be used indoors and, possibly, outdoors under a shelter. Possible installation in parallel. Manual control with a key.

AVAILABLE MODELS

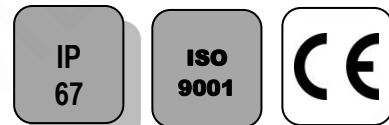
Supply voltages: 230V AC, 24V AC/DC.

LIMITS OF USE

IP Code	IP 67
Ambient temperature	- 20°C / +60°C
Service factor	S4-50%

MECHANICAL FEATURES

Gear box	treated steel pinions
Torques	15 - 45 - 95 - 110 Nm
Angle of rotation	90° +/- 2°
Declutching	without
Override control	By key



Actuator	TCR 02N-KT32		TCR 05N-KT32		TCR 11N-KT32	
	Torques (Nm)	15		45		110
Voltage	24V AC - DC	95-265V AC-DC	24V AC - DC	95-265V AC-DC	24V AC - DC	95-265V AC-DC
Manoeuvring time (s)	15	15	12	12	10	10
ISO 5211:	F03/F04/F05 - star 11		F05/F07 - star 14		F05/F07 - star 17	

ELECTRICAL FEATURES

Actuator	TCR 02N-KT32	TCR 05N-KT32	TCR 11N-KT32
Motor protection	Thermal switch		
Limit switches	2 adjustable switches		
Auxiliary switches	2 adjustable dry switches		
Anti-condensation	integrated		
Electrical connection	PE M10 + 1.5m cable	PE M20 + 1.5m cable	2 x PE M14

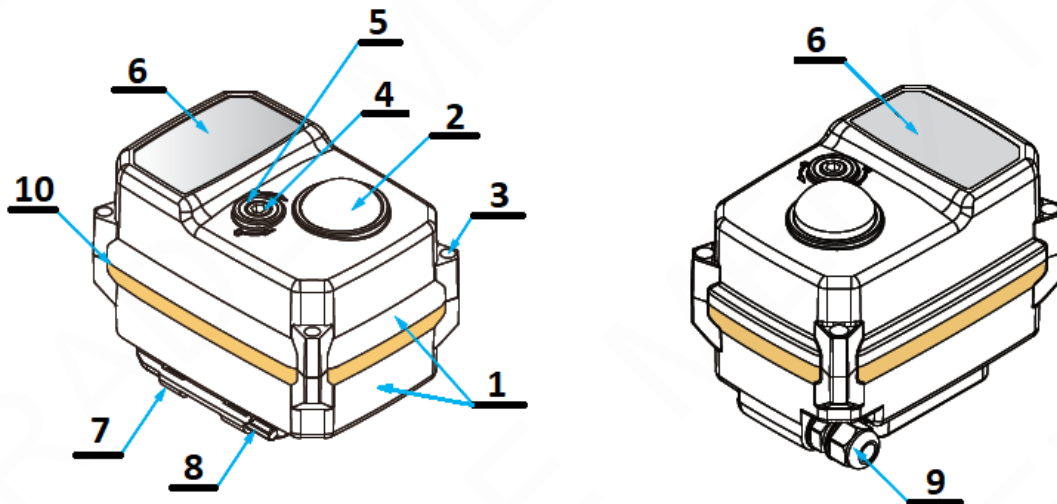
Actuator	TCR 02N-KT32		TCR 05N-KT32		TCR 11N-KT32	
Voltage	24V AC - DC	95-265V AC-DC	24V AC - DC	95-265V AC-DC	24V AC - DC	95-265V AC-DC
Power (W)	36	36	40	40	100	100
Current (A)	1,5	0,09	1,8	1,6	2,5	0,26 - 0,52
Fuse protection (A)	5	1	10	2	5	2

TCR-N-KT CAPACITOR RETURN ELECTRICAL ACTUATOR

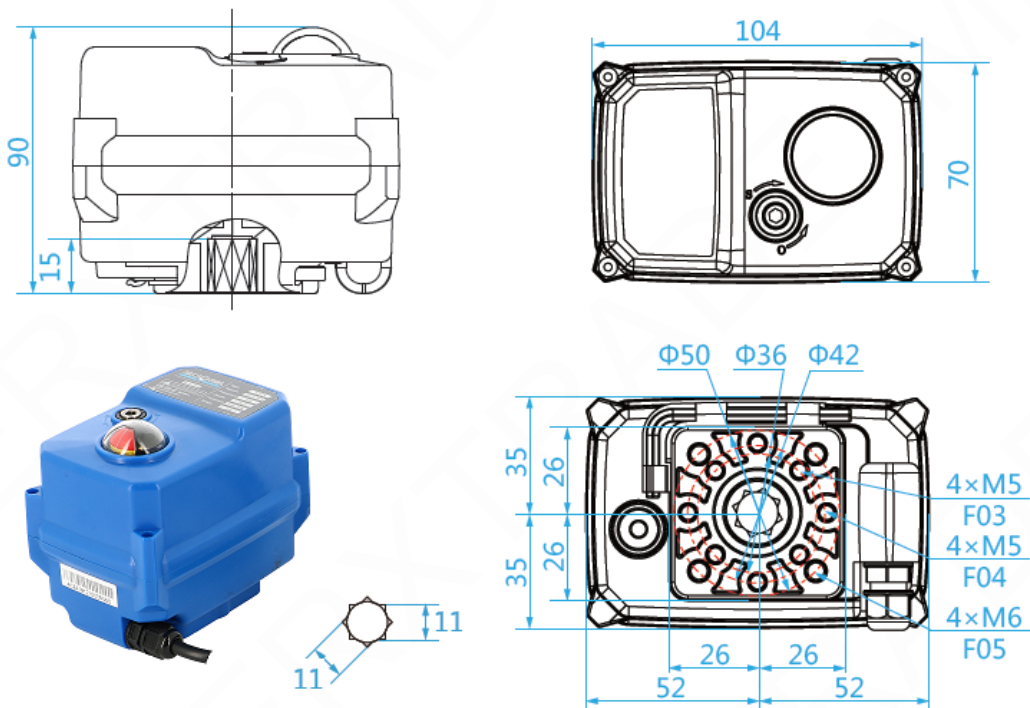
CONSTRUCTION (TCR-02N-KT32)

TCR-02N-KT32					
No.	Name	Material	No.	Name	Material
1	Casing + lid	Plastic (ABS)	6	Rating plate	PVC
2	Position indicator	Polycarbonate plastic	7	Key support	Plastic (ABS)
3	Screw x 4	Aisi 304	8	Hex key	Steel
4	Backup control stem	Aisi 304	9	Packing gland	Nylon
5	Gasket	NBR	10	Cover gasket	NBR

Weight (kg): 0.620



DIMENSIONS (mm)

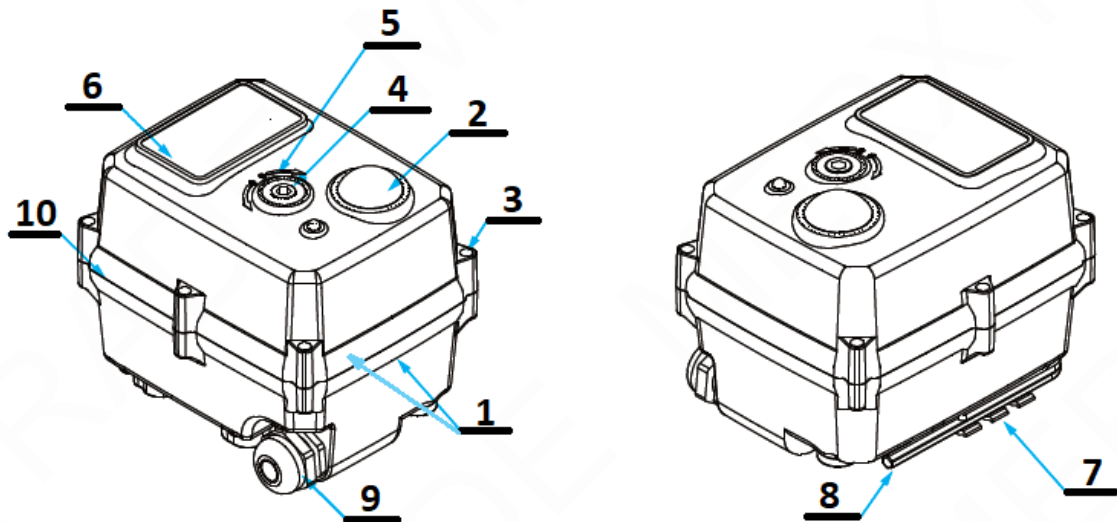


TCR-N-KT CAPACITOR RETURN ELECTRICAL ACTUATOR

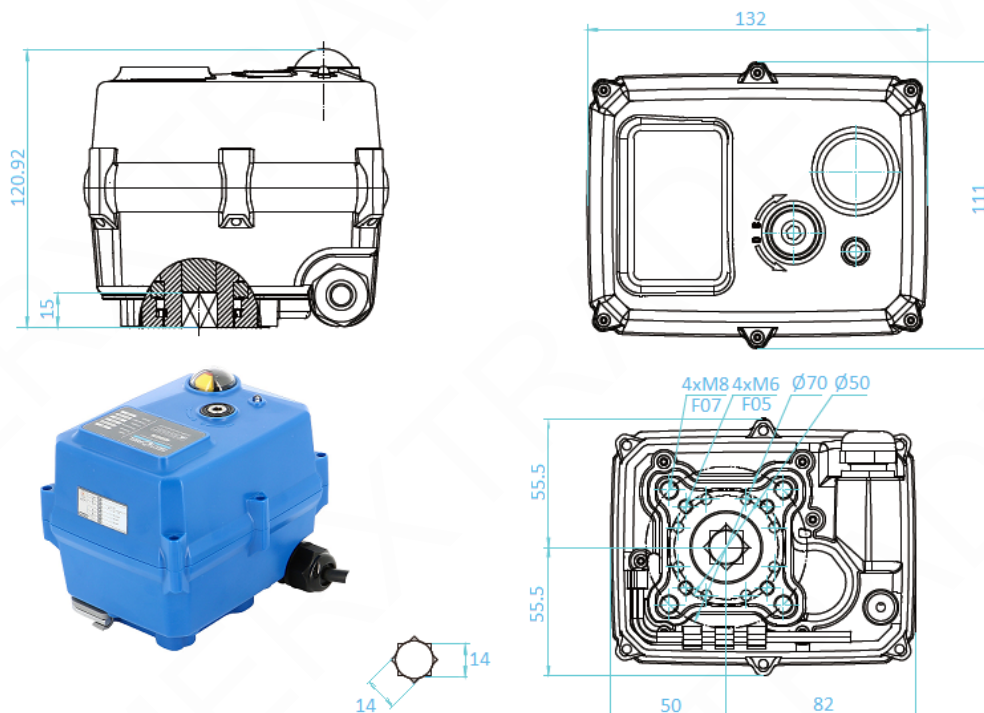
CONSTRUCTION (TCR-05N-KT32)

TCR-05N-KT32					
No.	Name	Material	No.	Name	Material
1	Casing + lid	Plastic (ABS)	6	Rating plate	PVC
2	Position indicator	Polycarbonate plastic	7	Key support	Plastic (ABS)
3	Screw x 6	Aisi 304	8	Hex key	Steel
4	Backup control stem	Aisi 304	9	Packing gland	Nylon
5	Gasket	NBR	10	Cover gasket	NBR

Weight (kg): 1.800



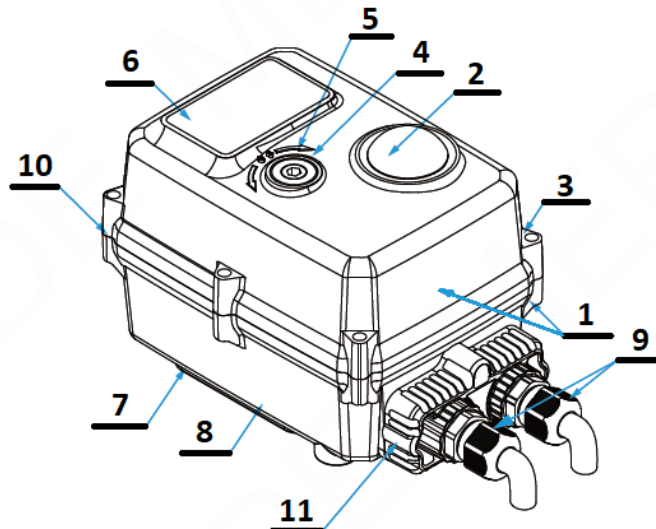
DIMENSIONS (mm)



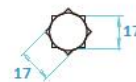
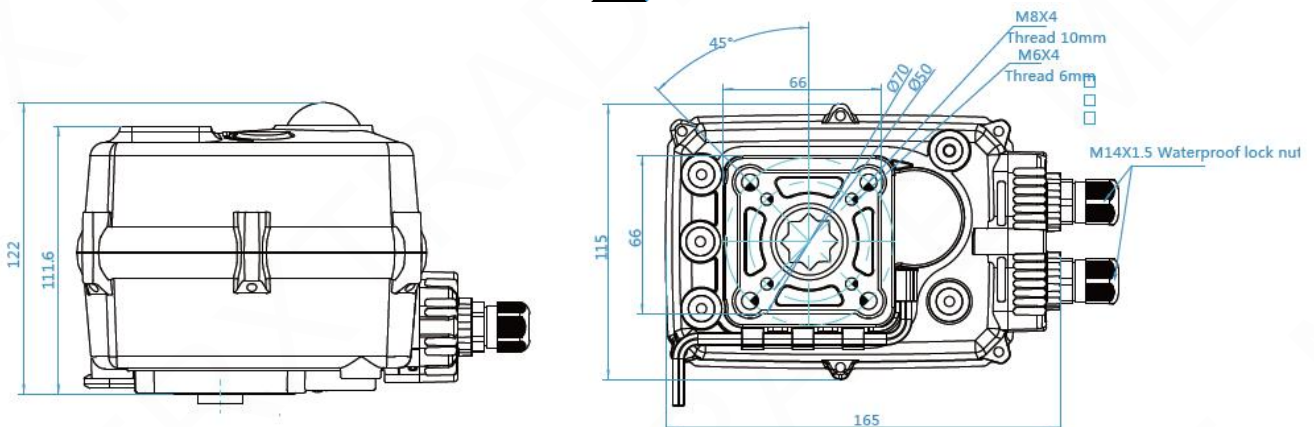
TCR-N-KT CAPACITOR RETURN ELECTRICAL ACTUATOR

CONSTRUCTION (TCR-11N-KT32)

TCR-11N-KT32					
No.	Name	Material	No.	Name	Material
1	Casing + lid	Plastic (ABS)	6	Rating plate	PVC
2	Position indicator	Polycarbonate plastic	7	Key support	Plastic (ABS)
3	Screw x 6	Aisi 304	8	Hex key	Steel
4	Backup control stem	Aisi 304	9	X 2Packing gland	Nylon
5	Gasket	NBR	10	Cover gasket	NBR
Weight (kg): 2.200			11	Cable gland unit	Plastic (ABS)



DIMENSIONS (mm)



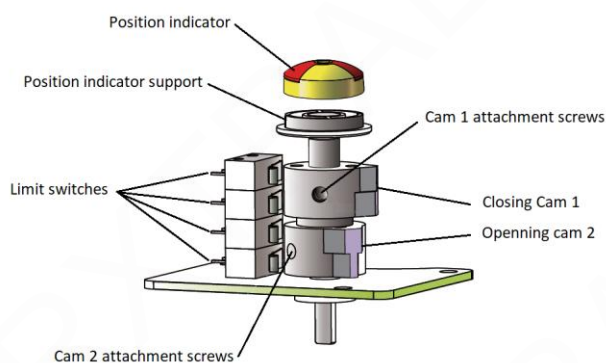
TCR-N-KT CAPACITOR RETURN ELECTRICAL ACTUATOR

WIRING DIAGRAM

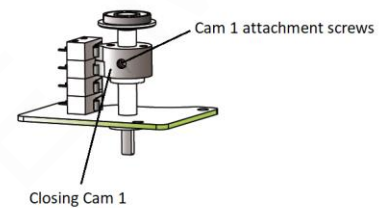
BU	Neutral / V (blue)
RD	Phase / V+ (Red)
BK	Control (Black)
WT	Information return to common (White) <u>Dry switch</u> : 230V AC max 50 mA 230V DC max 500 mA
GY	Opening return information (Grey) <u>Dry switch</u> : 230V AC max 50 mA 230V DC max 500 mA
BR	Closing return information (Brown) <u>Dry switch</u> : 230V AC max 50 mA 230V DC max 500 mA
Y/G	Earth (Yellow / Green)

Black --> BK
Red --> RD
Blue --> BU
Grey --> GY
White --> WT
Brown --> BR
Yellow/Green --> Y/G

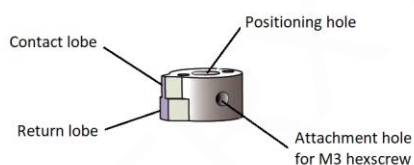
SWITCH SETTING



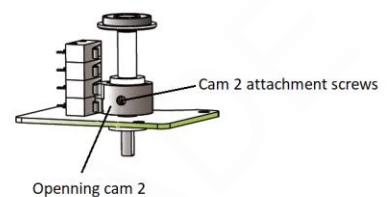
GENERAL VIEW



CLOSING CAM ADJUSTMENT



CAM DETAIL



OPENING CAM ADJUSTMENT

TCR-N-KT CAPACITOR RETURN ELECTRICAL ACTUATOR

TROUBLESHOOTING

Defect met	Cause of defect	Method of solving
Inactive actuator	Non-connected electrical grid.	Connect to the electrical grid.
	Wrong voltage.	Check the actuator's voltage.
	Motor overheating.	Check the torque on the valve.
	Faulty connection.	Check the connection to the terminal box.
	Damaged start capacitor.	Contact the supplier for repair.
No switch signal	Faulty connection.	Check the connections.
	Damaged microswitch	Change the microswitch
Valve that is not fully closed	Use the return signal from the actuator check.	Receiving a return signal does not mean that the actuator is fully closed, hence do not cut the power supply.
	The hysteresis increases due to wear or between the actuator and the valve's stem.	Readjust the limit cams. Contact the supplier for repair.
Presence of humidity or water in the actuator	Unsuitable cable cross-section being used.	Contact the supplier for repair.
	The cable connection is not leak-tight.	
	Worn sealing gaskets.	
	Loose cover screws.	Dry the internal parts and tighten the cover screws.

TCR-02T CONTROL ELECTRICAL ACTUATOR

FEATURES

The TCR-02T electric actuator is intended for motorising ¼ turn valves with a torque of 20 Nm. **Control function:** this motor is used to control the position of the valve depending upon an a 4-20mA or 0-10V input signal. With a compact construction and plastic housing, they are especially well suited for motorising small size ball valves. IP67 leak-tightness: to be used indoors and, possibly, outdoors under a shelter. Possible installation in parallel. Manual control with a key. This actuator has many functions. Parameter setting is done directly on the screen.

AVAILABLE MODELS

Supply voltages: 230V AC, 24V AC/DC.

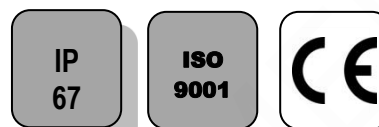
Control: 4-20mA, 0-20mA, 2-10V, 0-10V.

LIMITS OF USE

IP Code	IP 67
Ambient temperature	- 20°C / +60°C
Service factor	S4-50%

MECHANICAL FEATURES

Gear box	treated steel pinions
Torques	20 Nm
Angle of rotation	90° +/- 2°
Declutching	without
Override control	By key



Actuator	TCR 02T	
Torques (Nm)	20	
Voltage	24V AC - DC	95-265V AC-DC
Adjustment signal	4-20mA	
Manoeuvring time (s)	10	10
ISO 5211:	F03/F04/F05 - star 11	

ELECTRICAL FEATURES

Actuator	TCR 02T	
Motor protection	Thermal switch	
Limit switches	2 adjustable switches	
Anti-condensation	integrated	
Electrical connection	PE M10 + 1.5m cable	

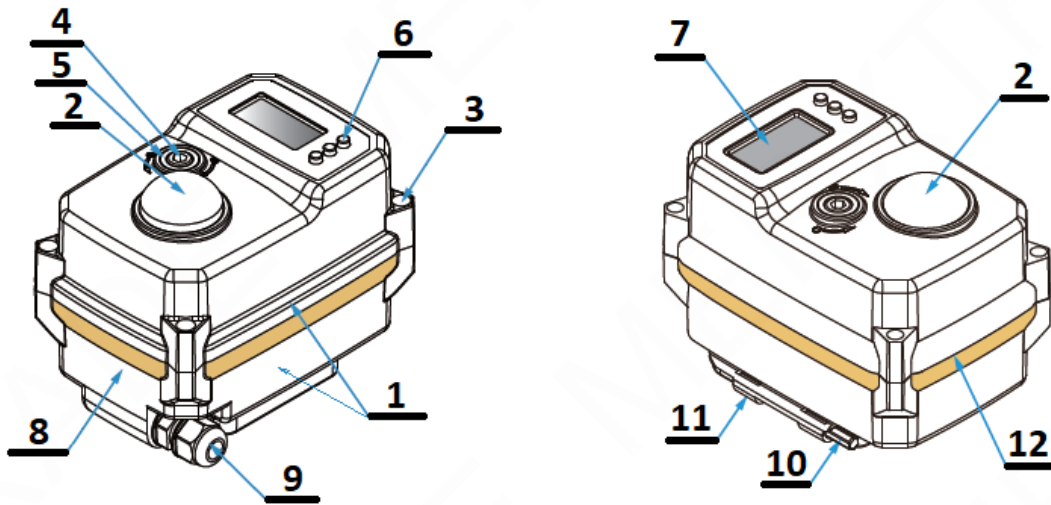
Actuator	TCR 02T	
Voltage	24V AC - DC	95-265V AC-DC
Power (W)	15	15
Current (A)	0,35	0,035 - 0,075
Fuse protection (A)	2	1

TCR-02T CONTROL ELECTRICAL ACTUATOR

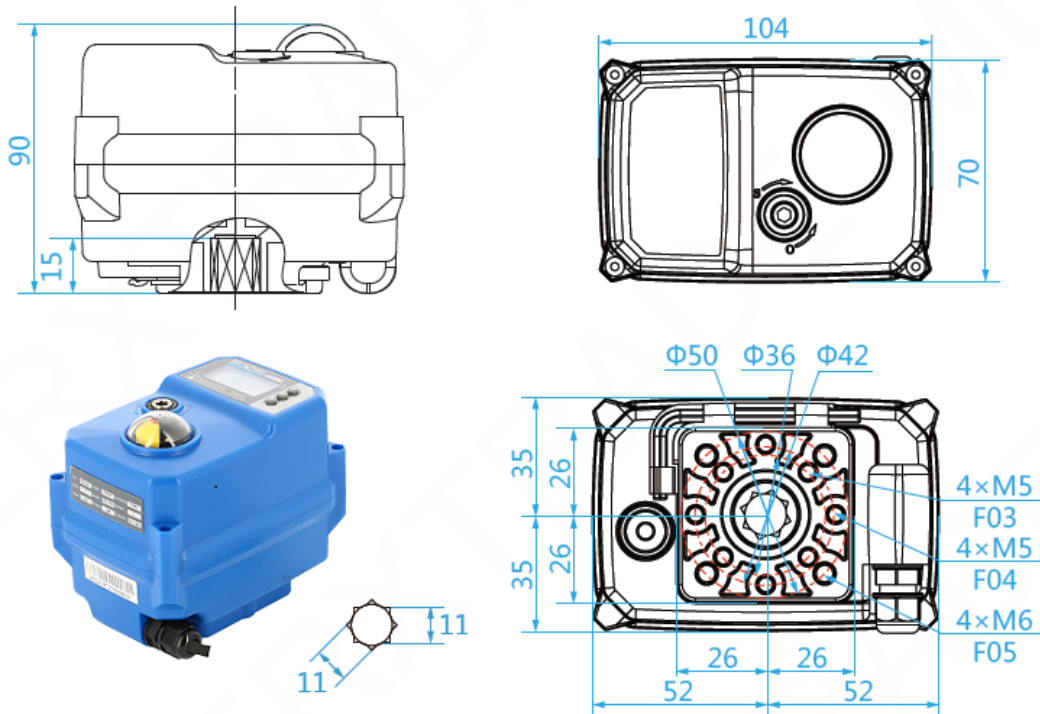
CONSTRUCTION (TCR-02T)

TCR-02T					
No.	Name	Material	No.	Name	Material
1	Casing + lid	Plastic (ABS)	7	1.3" LCD display	OLED
2	Position indicator	Polycarbonate plastic	8	Rating plate	PVC
3	Screw x 4	Ansi 304	9	Packing gland	Nylon
4	Backup control stem	Ansi 304	10	Hex key	Steel
5	Gasket	NBR	11	Key support	Plastic (ABS)
6	Adjustment button	Rubber	12	Cover gasket	NBR

Weight (kg): 0.620

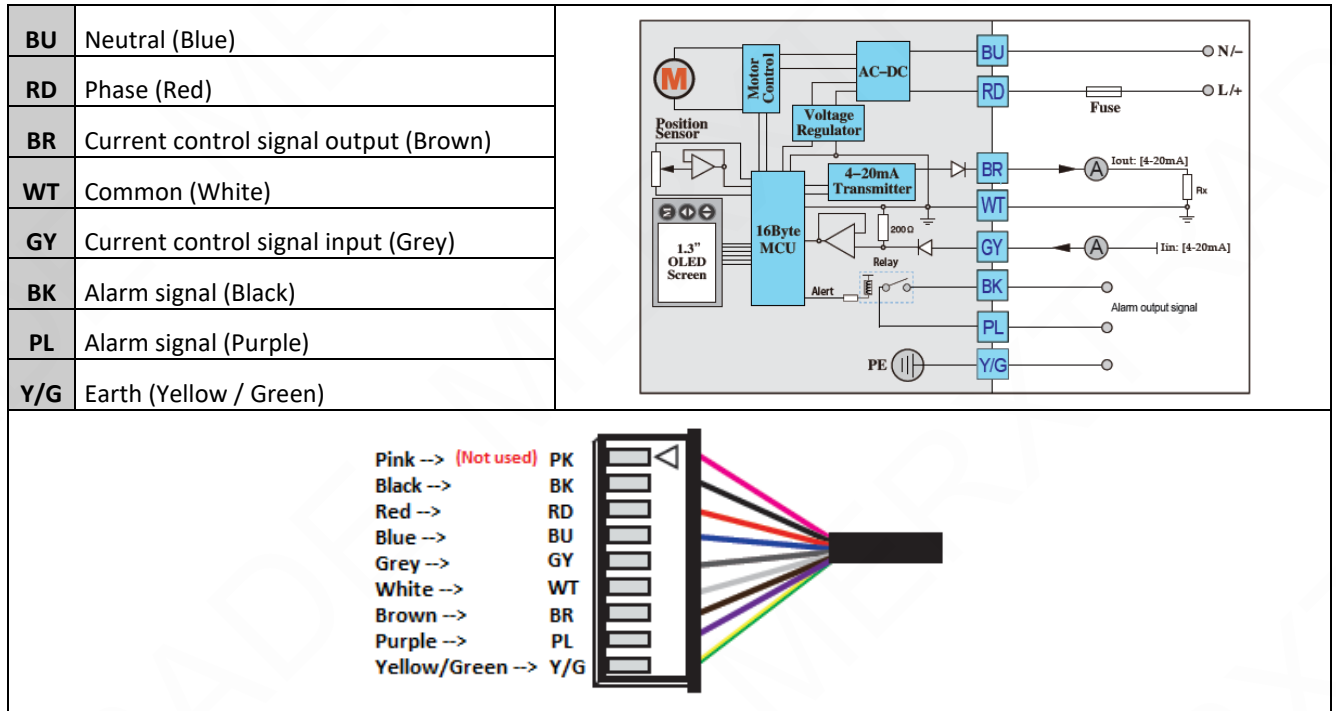


DIMENSIONS (mm)

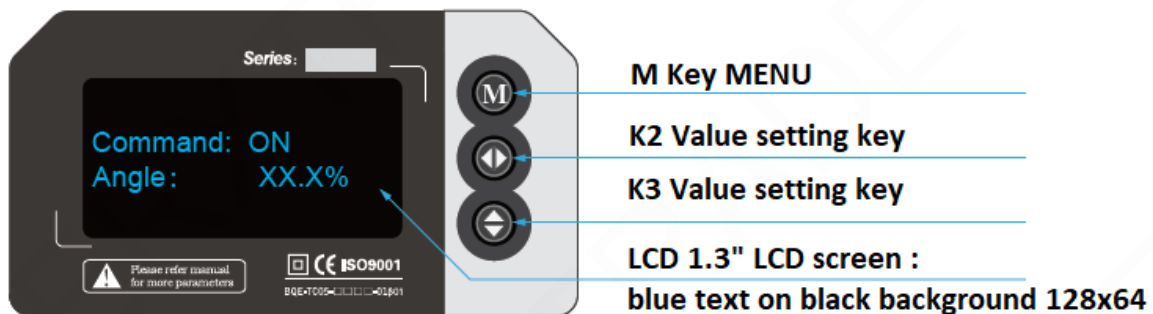


TCR-02T CONTROL ELECTRICAL ACTUATOR

WIRING DIAGRAM (TCR 02T)



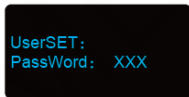

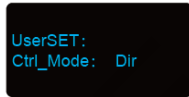
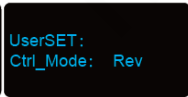
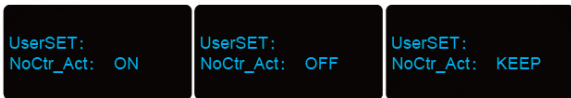


DESCRIPTION OF THE 1.3" LCD SCREEN



TCR-02T CONTROL ELECTRICAL ACTUATOR

ACTUATOR SETTINGS

The following functions can have their parameters set from the menu accessible on the screen:

STEP	TITLE	FUNCTION AND VALUES
1	Entering the menu	Press the “M” button for more than 5 s.
2	Enter the password	Press the “M” button for more than 5 s. Enter the code “333” (use the keys K2 and K3) Press again the button “M” 
3	Choice of language	English or Mandarin 
4	Choosing the direction of rotation of the actuator	<p>Direct: 4mA = valve closed / 20 mA = valve open</p>   <p>Inverted: 4 mA = valve closed / 20 mA = valve open</p>
5	Position by absence of any control signal	In the absence of a control signal, the valve can take 3 positions: ON, OFF or KEEP 
6	Dead band	This function is used to set the accuracy and the sensitivity of the control: the larger the band, the lower the accuracy; the narrower the band, the more oscillating the system can be. Setting range: 0.1 to 9.9% - Setting by default: 0.8% 
7	Hysteresis adjustment	This parameter setting is a prerequisite for the next. YES = adjustment is possible NO = no adjustment is possible (value by default) 


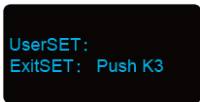
TCR-02T CONTROL ELECTRICAL ACTUATOR

8	Hysteresis value	<p>If the previous parameter is “YES”, it is possible to set the hysteresis value between 0.1 and 9.9%. The value by default is 0.2%. Do not use the function if there is a play between the valve’s stem and the actuator’s square.</p>
		<div style="display: flex; justify-content: space-around;"> <div style="background-color: #333; color: #007bff; padding: 5px; border: 1px solid #007bff;">UserSET: Hysteres: X.X%</div> <div style="background-color: #333; color: #007bff; padding: 5px; border: 1px solid #007bff;">UserSET: Hysteres: 0.1%</div> <div style="background-color: #333; color: #007bff; padding: 5px; border: 1px solid #007bff;">UserSET: Hysteres: 9.0%</div> </div>
9	Manual adjustment of the speed of rotation	<p>This function is used for slowing down the motor. Range: 20-100% - Value by default = 100%</p>
		<div style="display: flex; justify-content: space-around;"> <div style="background-color: #333; color: #007bff; padding: 5px; border: 1px solid #007bff;">UserSET: Manu_spd: XX%</div> <div style="background-color: #333; color: #007bff; padding: 5px; border: 1px solid #007bff;">UserSET: Manu_spd: 20</div> <div style="background-color: #333; color: #007bff; padding: 5px; border: 1px solid #007bff;">UserSET: Manu_spd: 100</div> </div>
10	Braking time	<p>In order to increase the stability of the motor, the motor will slow down after a short time before reaching its setpoint value position. During current use, this function is not useful. Range: 0-95 ms – Value by default = 1 ms</p>
		<div style="display: flex; justify-content: space-around;"> <div style="background-color: #333; color: #007bff; padding: 5px; border: 1px solid #007bff;">UserSET: Brk_Delay: XX%</div> <div style="background-color: #333; color: #007bff; padding: 5px; border: 1px solid #007bff;">UserSET: Brk_Delay: 0 Ms</div> <div style="background-color: #333; color: #007bff; padding: 5px; border: 1px solid #007bff;">UserSET: Brk_Delay: 95Ms</div> </div>
11	Setting the maximum speed	<p>This setting affects the available torque. Without a special need, do not change it. Range: 20-100% - Value by default = 100%</p>
		<div style="display: flex; justify-content: space-around;"> <div style="background-color: #333; color: #007bff; padding: 5px; border: 1px solid #007bff;">UserSET: Speed_Max: XX%</div> <div style="background-color: #333; color: #007bff; padding: 5px; border: 1px solid #007bff;">UserSET: Speed_Max: 20%</div> <div style="background-color: #333; color: #007bff; padding: 5px; border: 1px solid #007bff;">UserSET: Speed_Max: 100%</div> </div>
12	Setting the minimum speed	<p>This setting affects the available torque. Without a special need, do not change it. Range: 20-95% - Value by default = 75%</p>
		<div style="display: flex; justify-content: space-around;"> <div style="background-color: #333; color: #007bff; padding: 5px; border: 1px solid #007bff;">UserSET: Speed_Min: XX%</div> <div style="background-color: #333; color: #007bff; padding: 5px; border: 1px solid #007bff;">UserSET: Speed_Min: 20%</div> <div style="background-color: #333; color: #007bff; padding: 5px; border: 1px solid #007bff;">UserSET: Speed_Min: 95%</div> </div>
13	Setting the speed for the stroke	<p>This setting is used for setting a % of the actuator stroke during which it will slow down before reaching the setpoint value position. Range: 0.1-20% - Value by default = 10%</p>
		<div style="display: flex; justify-content: space-around;"> <div style="background-color: #333; color: #007bff; padding: 5px; border: 1px solid #007bff;">UserSET: RangeADJ: XX.X%</div> <div style="background-color: #333; color: #007bff; padding: 5px; border: 1px solid #007bff;">UserSET: RangeADJ: 0.1%</div> <div style="background-color: #333; color: #007bff; padding: 5px; border: 1px solid #007bff;">UserSET: RangeADJ: 20.0%</div> </div>
14	Redefining the 4 mA position	<p>Used to set another position than 0% for the 4 mA value. This function is useful for valves with an opening angle different from 90°. Range: -50% +80% - Value by default = 0.0%</p>
		<div style="display: flex; justify-content: space-around;"> <div style="background-color: #333; color: #007bff; padding: 5px; border: 1px solid #007bff;">UserSET: Posi4mA: X.X%</div> <div style="background-color: #333; color: #007bff; padding: 5px; border: 1px solid #007bff;">UserSET: Posi4mA: -50.0% minimum</div> <div style="background-color: #333; color: #007bff; padding: 5px; border: 1px solid #007bff;">UserSET: Posi4mA: 80.0% maximum</div> </div>

TCR-02T CONTROL ELECTRICAL ACTUATOR

15	Redefining the 20 mA position	Used to set another position than 100% for the 20 mA value. This function is useful for valves with an opening angle different from 90°. Range: 20% +220% - Value by default = 100.0%
		<div style="display: flex; justify-content: space-around;"> <div style="background-color: #333; color: #fff; padding: 5px; border: 1px solid #ccc;">UserSET: Pos20mA: X.X%</div> <div style="background-color: #333; color: #fff; padding: 5px; border: 1px solid #ccc;">UserSET: Pos20mA: 20.0% <small>minimum</small></div> <div style="background-color: #333; color: #fff; padding: 5px; border: 1px solid #ccc;">UserSET: Pos20mA: 220.0% <small>maximum</small></div> </div>
16	Modification of the 4 mA output signal	If a deviation is found on the 4mA output signal, this function is used to adjust it. If the number is increased, the current is higher. If the number is decreased, the current is lower. Range: 000_481_A – Value by default 191_A NB: always limit the lower value to 20 mA
		<div style="display: flex; justify-content: space-around;"> <div style="background-color: #333; color: #fff; padding: 5px; border: 1px solid #ccc;">UserSET: Out_4mA: XXX_A</div> <div style="background-color: #333; color: #fff; padding: 5px; border: 1px solid #ccc;">UserSET: Out_4mA: 000_A <small>minimum</small></div> <div style="background-color: #333; color: #fff; padding: 5px; border: 1px solid #ccc;">UserSET: Out_4mA: 481_A <small>maximum</small></div> </div>
17	Modification of the 20mA output signal	If a deviation is found on the 20mA output signal, this function is used to adjust it. If the number is increased, the current is higher. If the number is decreased, the current is lower. Range: 191_1000_A – Value by default 909_A
		<div style="display: flex; justify-content: space-around;"> <div style="background-color: #333; color: #fff; padding: 5px; border: 1px solid #ccc;">UserSET: Out_20mA: XXX_A</div> <div style="background-color: #333; color: #fff; padding: 5px; border: 1px solid #ccc;">UserSET: Out_20mA: 191_A <small>minimum</small></div> <div style="background-color: #333; color: #fff; padding: 5px; border: 1px solid #ccc;">UserSET: Out_20mA: 1000_A <small>maximum</small></div> </div>
18	Response time	Used to set the response speed of the valve. The smaller the value, the less sensitive the control. The bigger the value, the more sensitive it is. Increase the value when the response speed is too low. Setting range: 1x20x – Value by default 3x
		<div style="display: flex; justify-content: space-around;"> <div style="background-color: #333; color: #fff; padding: 5px; border: 1px solid #ccc;">UserSET: StallTime: 3X</div> <div style="background-color: #333; color: #fff; padding: 5px; border: 1px solid #ccc;">UserSET: StallTime: 1X <small>minimum</small></div> <div style="background-color: #333; color: #fff; padding: 5px; border: 1px solid #ccc;">UserSET: StallTime: 20X <small>maximum</small></div> </div>
19	Checking the feed signal	The actuator periodically tests its electrical power supply. A change of a value will change the interval between two tests. In current use, there is no need to change this parameter.
20	Power supply position by default	This setting is not available on this version (see version T-KT) Value by default: KEEP
		<div style="display: flex; justify-content: space-around;"> <div style="background-color: #333; color: #fff; padding: 5px; border: 1px solid #ccc;">UserSET: PDAction: KEEP</div> <div style="background-color: #333; color: #fff; padding: 5px; border: 1px solid #ccc;">UserSET: PDAction: OFF</div> <div style="background-color: #333; color: #fff; padding: 5px; border: 1px solid #ccc;">UserSET: PDAction: ON</div> </div>

TCR-02T CONTROL ELECTRICAL ACTUATOR

21	Capacitor charge	<p>This setting is not available on this version (see version T-KT) Value by default: 95%</p>
		
22	Alarm test	<p>This function is used to control whether a defect alarm is broadcast or not. It is especially used for factory testing Value by default: ON</p>
23	Exiting the menu	<p>Press K3 to exit the menu The system will switch back in the automatic checking mode.</p>
		

TROUBLESHOOTING

Defect met	Cause of defect	Method of solving
Inactive actuator	Non-connected electrical grid.	Connect to the electrical grid.
	Wrong voltage.	Check the actuator's voltage.
	Motor overheating.	Check the torque on the valve.
	Faulty connection.	Check the connection to the terminal box.
	Damaged start capacitor.	Contact the supplier for repair.
No switch signal	Faulty connection.	Check the connections.
	Damaged microswitch	Change the microswitch
Valve that is not fully closed	Use the return signal from the actuator check.	Receiving a return signal does not mean that the actuator is fully closed, hence do not cut the power supply.
	The hysteresis increases due to wear or between the actuator and the valve's stem.	Readjust the limit cams. Contact the supplier for repair.
Presence of humidity or water in the actuator	Unsuitable cable cross-section being used.	Contact the supplier for repair.
	The cable connection is not leak-tight.	
	Worn sealing gaskets.	
	Loose cover screws.	Dry the internal parts and tighten the cover screws.

TCR-05-11T CONTROL ELECTRICAL ACTUATOR

FEATURES

The TCR-05-11T electric actuator is intended for motorising ¼ turn valves with a torque of 50 or 110 Nm.

Control function: this motor is used to control the position of the valve depending upon an a 4-20mA or 0-10V input signal. With a compact construction and plastic housing, they are especially well suited for motorising small size ball valves. IP67 leak-tightness: to be used indoors and, possibly, outdoors under a shelter. Possible installation in parallel. Manual control with a key. This actuator offers many functions (see § parameter setting menu) Parameter setting is done directly on the screen.

AVAILABLE MODELS

Supply voltages : 230V AC, 24V AC/DC.

Control : 4-20mA, 0-20mA, 2-10V, 0-10V.

LIMITS OF USE

IP Code	IP 67
Ambient temperature	- 20°C / +60°C
Service factor	S4-50%

MECHANICAL FEATURES

Gear box	treated steel pinions
Torques	50 - 110 Nm
Angle of rotation	90° +/- 2°
Declutching	without
Override control	By key



Actuator	TCR 05T		TCR 11T	
Torques (Nm)	50		110	
Voltage	24V AC - DC	95-265V AC-DC	24V AC - DC	95-265V AC-DC
Adjustment signal	4-20mA, 0-20mA, 2-10V, 0-10V			
Manoeuvring time (s)	12	12	10	10
ISO 5211:	F05/F07 - star 14		F05/F07 - star 17	

ELECTRICAL FEATURES

Actuator	TCR 05T	TCR 11T
Motor protection	Thermal switch	
Limit switches	2 adjustable switches	
Anti-condensation	integrated	
Electrical connection	PE M20 + 1.5m cable	2 x PE M14

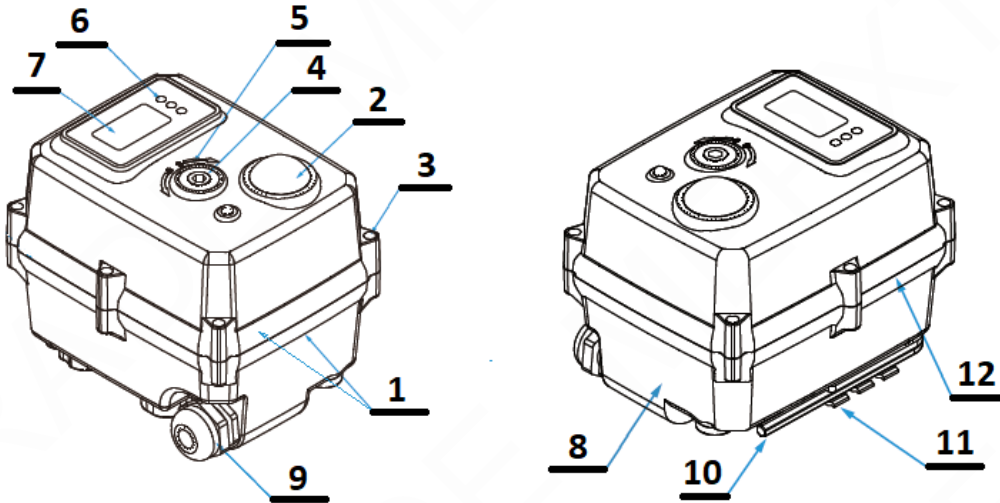
Actuator	TCR 05T		TCR 11T	
Voltage	24V AC - DC	95-265V AC-DC	24V AC - DC	95-265V AC-DC
Power (W)	25	25	100	100
Current (A)	0,83	0,18	2,2	0,26 - 0,52
Fuse protection (A)	4	2	10	2

TCR-05-11T CONTROL ELECTRICAL ACTUATOR

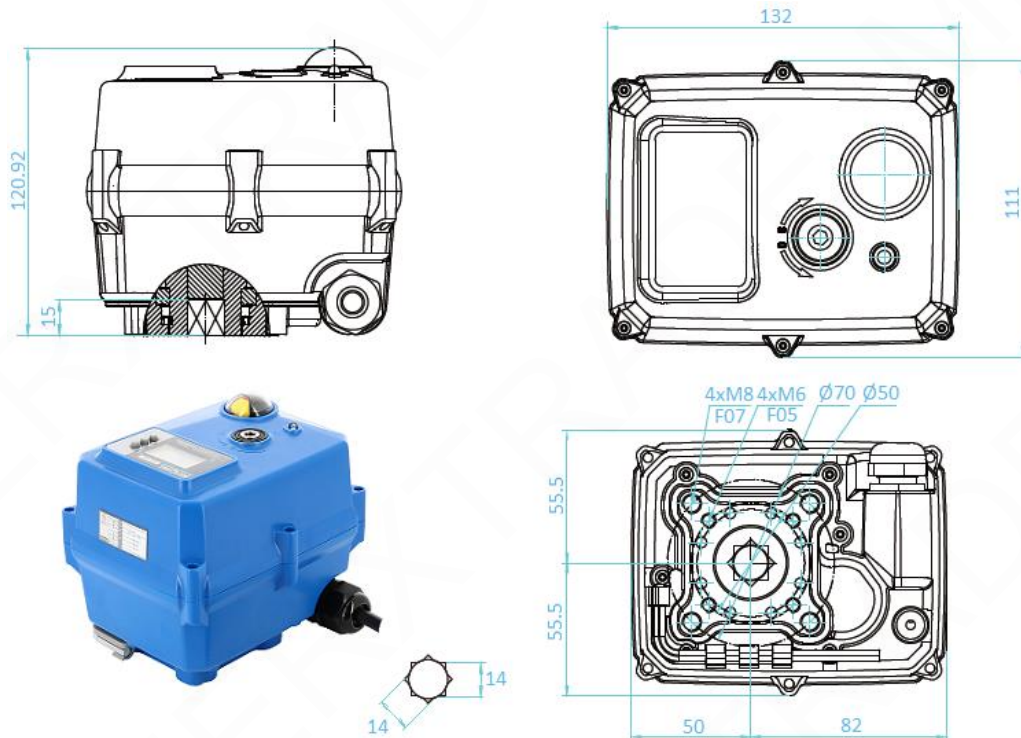
CONSTRUCTION (TCR-05T)

TCR-05T					
No.	Name	Material	No.	Name	Material
1	Casing + lid	Plastic (ABS)	7	1.3" LCD display	OLED
2	Position indicator	Polycarbonate plastic	8	Rating plate	PVC
3	Screw x 6	Ansi 304	9	Packing gland	Nylon
4	Backup control stem	Ansi 304	10	Hex key	Steel
5	Gasket	NBR	11	Key support	Plastic (ABS)
6	Adjustment button	Rubber	12	Cover gasket	NBR

Weight (kg): 1.800



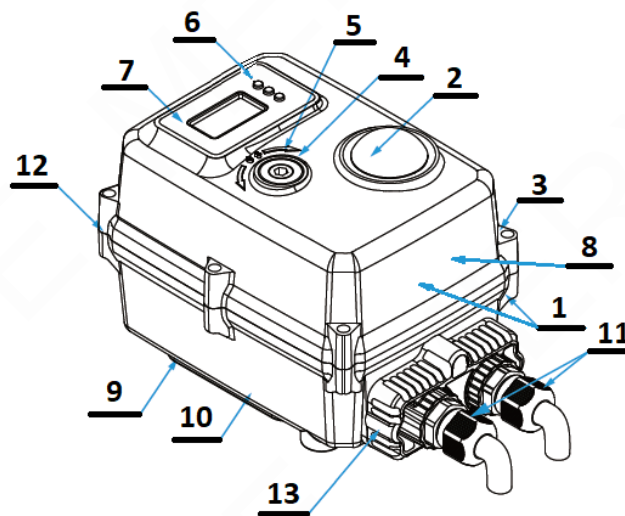
DIMENSIONS (mm)



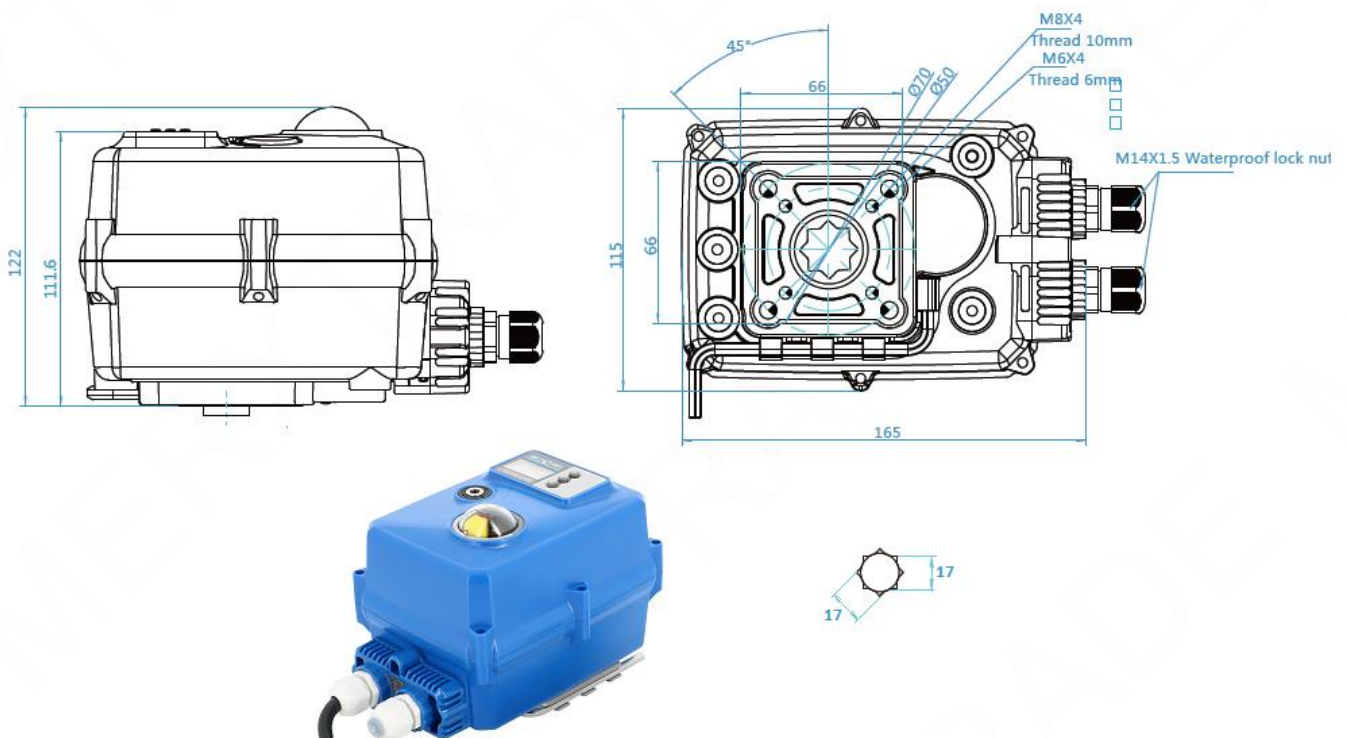
TCR-05-11T CONTROL ELECTRICAL ACTUATOR

CONSTRUCTION (TCR-11T)

TCR-11T					
No.	Name	Material	No.	Name	Material
1	Casing + lid	Plastic (ABS)	7	1.3" LCD display	OLED
2	Position indicator	Polycarbonate plastic	8	Rating plate	PVC
3	Screw x 6	Ansi 304	9	Key support	Plastic (ABS)
4	Backup control stem	Ansi 304	10	Hex key	Steel
5	Gasket	NBR	11	X 2Packing gland	Nylon
6	Adjustment button	Rubber	12	Cover gasket	NBR
Weight (kg): 2.200			13	Cable gland unit	Plastic (ABS)

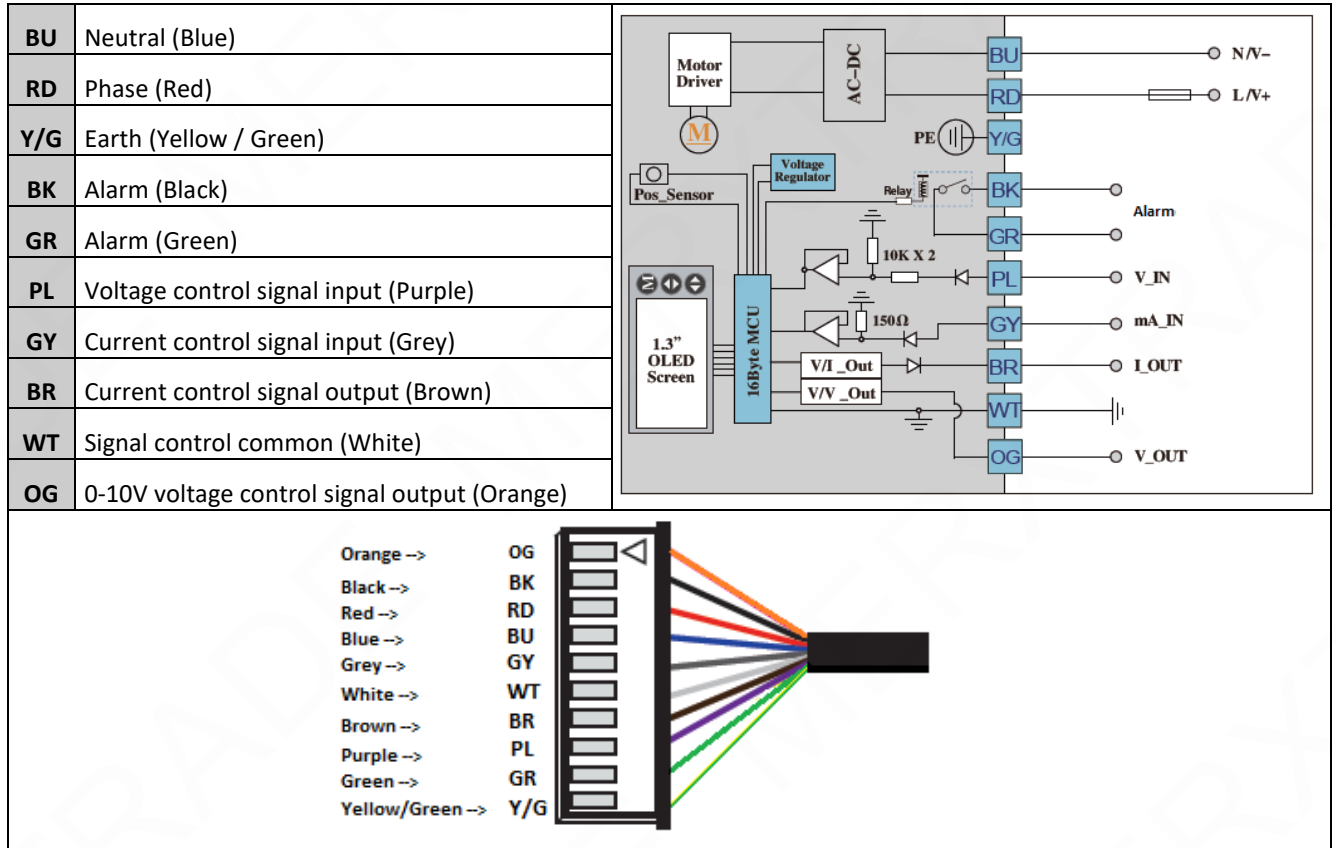


DIMENSIONS (mm)

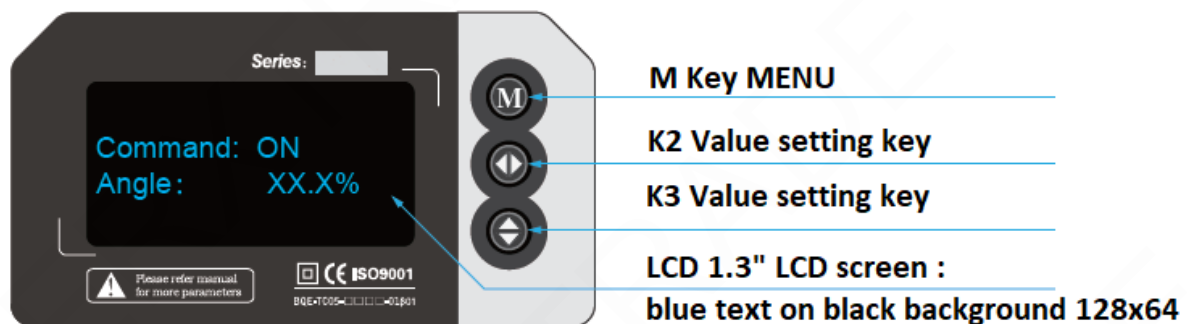


TCR-05-11T CONTROL ELECTRICAL ACTUATOR

WIRING DIAGRAM



DESCRIPTION OF THE 1.3" LCD SCREEN



TCR-05-11T CONTROL ELECTRICAL ACTUATOR

PARAMETER SETTING MENU OF THE ACTUATOR

The following functions can have their parameters set from the menu accessible on the screen:

STEP	TITLE	FUNCTION AND VALUES
1	Standby screen	If the actuator did not receive any signal in the last 5 minutes, the screen switches to standby. Press any button for 5 s. Then reactivate the screen.
2	Enter the password	<p>Press the “M” button for more than 5 s. Enter the code “333” (use the keys K2 and K3) Press again the button “M”</p> <div style="border: 1px solid black; padding: 5px; background-color: black; color: cyan; width: fit-content;"> UserSET: PassWord: XXX </div>
3	Choice of language	<p>English or Mandarin</p> <div style="display: flex; justify-content: space-around; margin-top: 10px;"> <div style="border: 1px solid black; padding: 5px; background-color: black; color: cyan; width: 100px;"> UserSET: DisMode: English </div> <div style="border: 1px solid black; padding: 5px; background-color: black; color: cyan; width: 100px;"> UserSET: DisMode: Chinese </div> </div>
4	Choosing the control signal	<p>Press “K3” to chose the control signal Possible signals: 4-20mA, 0-20mA, 2-10V, 0-10V Press “M” again to continue</p> <div style="display: flex; justify-content: space-around; margin-top: 10px;"> <div style="border: 1px solid black; padding: 5px; background-color: black; color: cyan; width: 100px;"> UserSET: Channel: 4–20mA </div> <div style="border: 1px solid black; padding: 5px; background-color: black; color: cyan; width: 100px;"> UserSET: Channel: 0–20mA </div> <div style="border: 1px solid black; padding: 5px; background-color: black; color: cyan; width: 100px;"> UserSET: Channel: 2–10V </div> <div style="border: 1px solid black; padding: 5px; background-color: black; color: cyan; width: 100px;"> UserSET: Channel: 0–10V </div> </div>
5	Choosing the direction of rotation of the actuator	<p>Direct 4mA = valve closed / 20 mA = valve open Inverted 4 mA = valve closed / 20 mA = valve open</p> <div style="display: flex; justify-content: space-around; margin-top: 10px;"> <div style="border: 1px solid black; padding: 5px; background-color: black; color: cyan; width: 100px;"> UserSET: Ctrl_Mode: Dir </div> <div style="border: 1px solid black; padding: 5px; background-color: black; color: cyan; width: 100px;"> UserSET: Ctrl_Mode: Rev </div> </div>
6	Position by absence of any control signal	<p>In the absence of a control signal, the valve can take 3 positions: ON, OFF or KEEP</p> <div style="display: flex; justify-content: space-around; margin-top: 10px;"> <div style="border: 1px solid black; padding: 5px; background-color: black; color: cyan; width: 100px;"> UserSET: NoCtr_Act: ON </div> <div style="border: 1px solid black; padding: 5px; background-color: black; color: cyan; width: 100px;"> UserSET: NoCtr_Act: OFF </div> <div style="border: 1px solid black; padding: 5px; background-color: black; color: cyan; width: 100px;"> UserSET: NoCtr_Act: KEEP </div> </div>
7	Dead band	<p>This function is used to set the accuracy and the sensitivity of the control: the larger the band, the lower the accuracy; the narrower the band, the more oscillating the system can be. Setting range: 0.1 to 9.9% - Setting by default: 0.8%</p> <div style="display: flex; justify-content: space-around; margin-top: 10px;"> <div style="border: 1px solid black; padding: 5px; background-color: black; color: cyan; width: 100px;"> UserSET: DeadZone: X.X% </div> <div style="border: 1px solid black; padding: 5px; background-color: black; color: cyan; width: 100px;"> UserSET: DeadZone: 0.1% This is minimum </div> <div style="border: 1px solid black; padding: 5px; background-color: black; color: cyan; width: 100px;"> UserSET: DeadZone: 9.9% This is maximum </div> </div>

TCR-05-11T CONTROL ELECTRICAL ACTUATOR

8	Hysteresis adjustment	<p>This parameter setting is a prerequisite for the next. YES = adjustment is possible NO = no adjustment is possible (value by default)</p>
		<div style="display: flex; justify-content: space-around;"> <div style="background-color: #333; color: #00aaff; padding: 5px; border: 1px solid #00aaff;">UserSET: IsGo_Hyste:Yes</div> <div style="background-color: #333; color: #00aaff; padding: 5px; border: 1px solid #00aaff;">UserSET: IsGo_Hyste:No</div> </div>
9	Hysteresis value	<p>If the previous parameter is “YES”, it is possible to set the hysteresis value between 0.1 and 9.9%. The value by default is 0.2%. Do not use the function if there is a play between the valve’s stem and the actuator’s square.</p>
		<div style="display: flex; justify-content: space-around;"> <div style="background-color: #333; color: #00aaff; padding: 5px; border: 1px solid #00aaff;">UserSET: Hysteres: XX.X%</div> <div style="background-color: #333; color: #00aaff; padding: 5px; border: 1px solid #00aaff;">UserSET: Hysteres: 0%</div> </div>
10	Redefining the 4 mA position	<p>Used to set another position than 0% for the 4 mA value. This function is useful for valves with an opening angle different from 90°. Range: -50% +80% - Value by default = 0.0%</p>
		<div style="display: flex; justify-content: space-around;"> <div style="background-color: #333; color: #00aaff; padding: 5px; border: 1px solid #00aaff;">UserSET: Posi4mA: XX.X%</div> <div style="background-color: #333; color: #00aaff; padding: 5px; border: 1px solid #00aaff;">UserSET: Posi4mA: 0.0%</div> </div>
11	Redefining the 20 mA position	<p>Used to set another position than 100% for the 20 mA value. This function is useful for valves with an opening angle different from 90°. Range: +81% +220% - Value by default = 100.0%</p>
		<div style="display: flex; justify-content: space-around;"> <div style="background-color: #333; color: #00aaff; padding: 5px; border: 1px solid #00aaff;">UserSET: Posi20mA: XX.X%</div> <div style="background-color: #333; color: #00aaff; padding: 5px; border: 1px solid #00aaff;">UserSET: Posi20mA: 100.0%</div> </div>
12	Manual adjustment of the speed of rotation	<p>This function is used for slowing down the motor. Range: 20-100% - Value by default = 100%</p>
		<div style="display: flex; justify-content: space-around;"> <div style="background-color: #333; color: #00aaff; padding: 5px; border: 1px solid #00aaff;">UserSET: Manu_spd: XX%</div> <div style="background-color: #333; color: #00aaff; padding: 5px; border: 1px solid #00aaff;">UserSET: Manu_spd: 20%</div> <div style="background-color: #333; color: #00aaff; padding: 5px; border: 1px solid #00aaff;">UserSET: Manu_spd: 100%</div> </div>
13	Setting the maximum speed	<p>This setting affects the available torque. Without a special need, do not change it. Range: 20-100% - Value by default = 100%</p>
		<div style="display: flex; justify-content: space-around;"> <div style="background-color: #333; color: #00aaff; padding: 5px; border: 1px solid #00aaff;">UserSET: SpeedMax: XX%</div> <div style="background-color: #333; color: #00aaff; padding: 5px; border: 1px solid #00aaff;">UserSET: SpeedMax: 100%</div> </div>
14	Setting the minimum speed	<p>This setting affects the available torque. Without a special need, do not change it. Range: 20-95% - Value by default = 75%</p>
		<div style="display: flex; justify-content: space-around;"> <div style="background-color: #333; color: #00aaff; padding: 5px; border: 1px solid #00aaff;">UserSET: SpeedMin: XX%</div> <div style="background-color: #333; color: #00aaff; padding: 5px; border: 1px solid #00aaff;">UserSET: SpeedMin: XX%</div> </div>

TCR-05-11T CONTROL ELECTRICAL ACTUATOR

15	Setting the speed for the stroke	<p>This setting is used for setting a % of the actuator stroke during which it will slow down before reaching the setpoint value position. Range: 1-20% - Value by default = 10%</p>
		<div style="background-color: #333; color: #00aaff; padding: 5px; border: 1px solid #00aaff;"> UserSET: RangeAdj: XX.X% </div>
16	Braking time	<p>In order to increase the stability of the motor, the motor will slow down after a short time before reaching its setpoint value position. During current use, this function is not useful. Range: 0-50 ms – Value by default = 1 ms</p>
		<div style="display: flex; justify-content: space-around;"> <div style="background-color: #333; color: #00aaff; padding: 5px; border: 1px solid #00aaff;"> UserSET: Brk_Delay: XX% </div> <div style="background-color: #333; color: #00aaff; padding: 5px; border: 1px solid #00aaff;"> UserSET: Brk_Delay: 0 Ms </div> <div style="background-color: #333; color: #00aaff; padding: 5px; border: 1px solid #00aaff;"> UserSET: Brk_Delay: 50Ms </div> </div>
17	Modification of the output signal 4 mA	<p>If a deviation is found on the 4mA output signal, this function is used to adjust it. If the number is increased, the current is higher. If the number is decreased, the current is lower. Range: 000_481_A – Value by default 191_A NB: always limit the lower value to 20 mA</p>
		<div style="display: flex; justify-content: space-around;"> <div style="background-color: #333; color: #00aaff; padding: 5px; border: 1px solid #00aaff;"> UserSET: Out_4mA: XX.X% </div> <div style="background-color: #333; color: #00aaff; padding: 5px; border: 1px solid #00aaff;"> UserSET: Out_4mA: 177_A </div> </div>
18	Modification of the 20mA output signal	<p>If a deviation is found on the 20mA output signal, this function is used to adjust it. If the number is increased, the current is higher. If the number is decreased, the current is lower. Range: 191_1000_A – Value by default 909_A</p>
		<div style="display: flex; justify-content: space-around;"> <div style="background-color: #333; color: #00aaff; padding: 5px; border: 1px solid #00aaff;"> UserSET: Out_20mA: XX.X% </div> <div style="background-color: #333; color: #00aaff; padding: 5px; border: 1px solid #00aaff;"> UserSET: Out_20mA: 899_A </div> </div>
19	Response time	<p>Used to set the response speed of the valve. The smaller the value, the less sensitive the control. The bigger the value, the more sensitive it is. Increase the value when the response speed is too low. Setting range: 1x20x – Value by default 3x</p>
		<div style="display: flex; justify-content: space-around;"> <div style="background-color: #333; color: #00aaff; padding: 5px; border: 1px solid #00aaff;"> UserSET: StallTime: 3X </div> <div style="background-color: #333; color: #00aaff; padding: 5px; border: 1px solid #00aaff;"> UserSET: StallTime: 1X minimum </div> <div style="background-color: #333; color: #00aaff; padding: 5px; border: 1px solid #00aaff;"> UserSET: StallTime: 20X maximum </div> </div>
20	Checking the feed signal	<p>The actuator periodically tests its electrical power supply. A change of a value will change the interval between two tests. In current use, there is no need to change this parameter.</p>
		<div style="background-color: #333; color: #00aaff; padding: 5px; border: 1px solid #00aaff;"> UserSET: PDChk_Time: 100% </div>
21	Power supply position by default	<p>This parameter setting is not available on this version (see version T-KT) Value by default: KEEP</p>
		<div style="display: flex; justify-content: space-around;"> <div style="background-color: #333; color: #00aaff; padding: 5px; border: 1px solid #00aaff;"> UserSET: PDAction: KEEP </div> <div style="background-color: #333; color: #00aaff; padding: 5px; border: 1px solid #00aaff;"> UserSET: PDAction: OFF </div> <div style="background-color: #333; color: #00aaff; padding: 5px; border: 1px solid #00aaff;"> UserSET: PDAction: ON </div> </div>

TCR-05-11T CONTROL ELECTRICAL ACTUATOR

22	Super-capacitor charge	This setting is not available on this version (see version T-KT) Value by default: 95%
		<div style="display: flex; justify-content: space-around;"> <div style="background-color: black; color: white; padding: 5px; border: 1px solid black;"> UserSET: BatCharge: XX% </div> <div style="background-color: black; color: white; padding: 5px; border: 1px solid black;"> UserSET: BatCharge: 60% Minimum </div> <div style="background-color: black; color: white; padding: 5px; border: 1px solid black;"> UserSET: BatCharge: 99% Maximum </div> </div>
23	Actuator locking after the intervention of the super-capacitor	This parameter setting is not available on this version (see version T-KT) Value by default: UNLOCK
		<div style="display: flex; justify-content: space-around;"> <div style="background-color: black; color: white; padding: 5px; border: 1px solid black;"> UserSET: MotLock: LOCK </div> <div style="background-color: black; color: white; padding: 5px; border: 1px solid black;"> UserSET: MotLock: UNLOCK </div> </div>
24	Alarm test	This function is used to control whether a defect alarm is broadcast or not. It is especially used for factory testing Value by default: ON
		<div style="background-color: black; color: white; padding: 5px; border: 1px solid black;"> UserSET: Test Alarm: ON </div>
25	Exiting the menu	Press K3 to exit the menu The system will switch back in the automatic checking mode.
		<div style="background-color: black; color: white; padding: 5px; border: 1px solid black;"> UserSET: ExitSET: Push K3 </div>

TROUBLESHOOTING

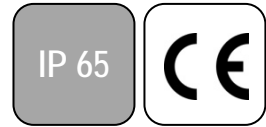
Defect met	Cause of defect	Method of solving
Inactive actuator	Non-connected electrical grid.	Connect to the electrical grid.
	Wrong voltage.	Check the actuator's voltage.
	Motor overheating.	Check the torque on the valve.
	Faulty connection.	Check the connection to the terminal box.
	Damaged start capacitor.	Contact the supplier for repair.
No switch signal	Faulty connection.	Check the connections.
	Damaged microswitch	Change the microswitch
Valve that is not fully closed	Use the return signal from the actuator check.	Receiving a return signal does not mean that the actuator is fully closed, hence do not cut the power supply.
	The hysteresis increases due to wear or between the actuator and the valve's stem.	Readjust the limit cams. Contact the supplier for repair.
Presence of humidity or water in the actuator	Unsuitable cable cross-section being used.	Contact the supplier for repair.
	The cable connection is not leak-tight.	
	Worn sealing gaskets.	
	Loose cover screws.	Dry the internal parts and tighten the cover screws.

GENERAL CHARACTERISTICS

The UV electric actuators are generally used on ¼ turn valves. The maximum output torque is between 150 Nm and 600 Nm. Its compact construction with an aluminium alloy enclosure and a plastic cover makes it convenient for the actuation of ball valves and butterfly valves. The UV electric actuators are equipped with a manual override activated by handwheel. Protection IP 65: possible use indoor and outdoor under shelter.

AVAILABLE ITEMS

Torque: 150 Nm, 250 Nm, 490 Nm and 600 Nm
 Voltage: 230 V AC, 24 V AC and 24 V DC



LIMITS OF USE

Protection rating	IP 65
Temperature range	-10 °C / +60 °C
Service	S4 - 30% - 10 starts/h

MECHANICAL CHARACTERISTICS

Gears	Treated steel pinions
Rotation angle	90° +/- 5°
Declutching	N/A
Manual override	Handwheel



Electric actuator	UVC15		UVD25			UVF50	UVG60
Voltage	230 V AC	24 V AC	230 V AC	24 V AC	24 V DC	230 V AC	230 V AC
Torque	150 Nm		250 Nm			490 Nm	600 Nm
Operating time	8 s		20 s			30 s	30 s
ISO 5211 pad	F07		F07/F10			F10/F12	F10/F12
Star drive nut	17		22			27	27

ELECTRICAL CHARACTERISTICS

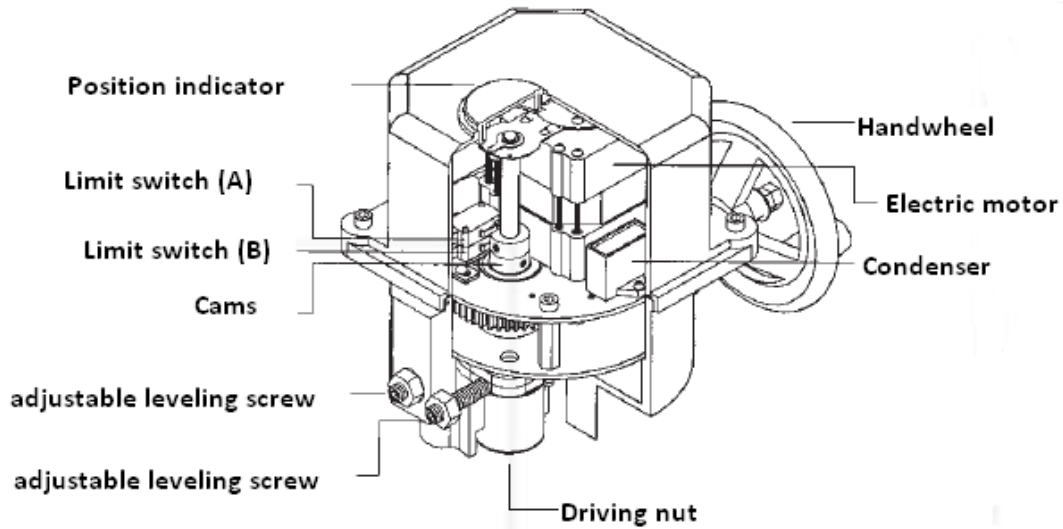
Motor protection	Thermal cut-out	Anti-condensation	Optional, 2 W heater
Limit switch	2 adjustable switches	Electrical connection	2 gland packs. ½" PF
Auxiliary switch	2 adjustable dry switches, cutting capacity: 3 A @ 230 V AC / 0.3 A @ 250 V DC		

Electric actuator	UVC15		UVD25			UVF50	UVG60
Voltage	230 V AC	24 V AC	230 V AC	24 V AC	24 V DC	230 V AC	230 V AC
Power	25 W	30 W	25 W	30 W	30 W	40 W	60 W
Intensity	0.42 A	0.5 A	0.42 A	0.5 A	0.5 A	0.58 A	0.66 A

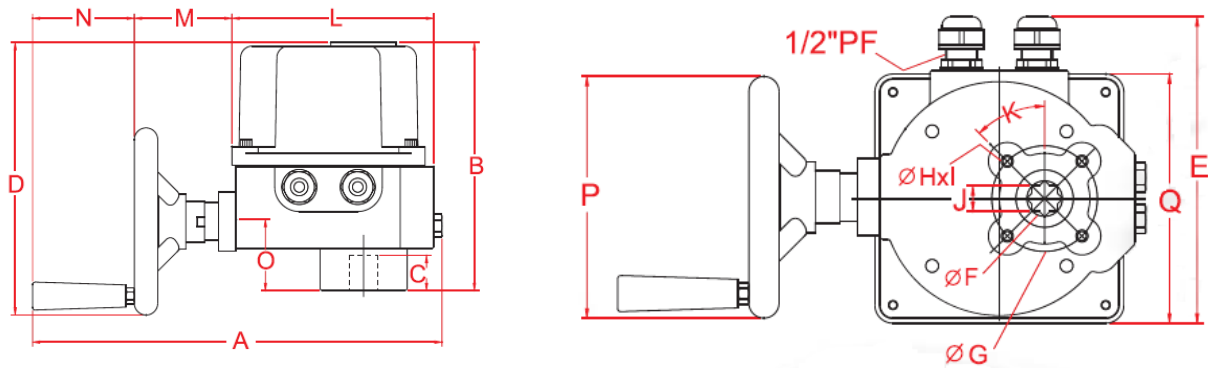
The following data is for information purpose only and may be subject to alteration without prior notice

CONSTRUCTION

Enclosure	Aluminium alloy	Cams	Treated steel
Cover	PA66 plastic	Drive nut	Steel
Worm gear	Treated steel	Position indicator	Plexiglas®
Handwheel	Steel		



DIMENSIONS (mm)



Dimension	A	B	C	D	E	G	J	L	M	N	O	P	Q
UVC15	350	215	30	236	203	70	17	173	84	87	59	160	165
UVD25	350	240*	30	235	203	102	22	173	84	87	85	160	165
UVF50	350	272	34	260	203	125	27	173	84	87	92	200	165
UVG60	350	272	34	260	203	125	27	173	84	87	92	200	165

* This dimension is 266 mm for the 24 V AC/DC version.

The following data is for information purpose only and may be subject to alteration without prior notice

WIRING SCHEME 230 V AC

1	Common
3	Opening phase
4	Closing phase
5	Open powered contact
6	Close powered contact
7	Heater
8	Heater
C	Aux. common LS3 Opening
NO	Aux. NO contact LS3 Opening
NC	Aux. NC contact LS3 Opening
C	Aux. common LS4 Closing
NO	Aux. NO contact LS4 Closing
NC	Aux. NC contact LS4 Closing

1-Commun
 3-Phase Ouverture
 4-Phase Fermeture
 5-Contact alimenté Ouvert
 6-Contact alimenté Fermé
 7-Résistance chauffante
 8-Résistance chauffante
 L33 { C -Commun auxiliaire sec Ouverture
 NO-Contact sec NO
 NC-Contact sec NF
 L34 { C -Commun auxiliaire sec Fermeture
 NO-Contact sec NO
 NC-Contact sec NF

WIRING SCHEME 24 V AC

1	Common
3	Opening phase
4	Closing phase
5	Open powered contact
6	Close powered contact
7	Heater
8	Heater
C	Aux. common LS3 Opening
NO	Aux. NO contact LS3 Opening
NC	Aux. NC contact LS3 Opening
C	Aux. common LS4 Closing
NO	Aux. NO contact LS4 Closing
NC	Aux. NC contact LS4 Closing

1-Commun
 3-Phase Ouverture
 4-Phase Fermeture
 5-Contact alimenté Ouvert
 6-Contact alimenté Fermé
 7-Résistance chauffante
 8-Résistance chauffante
 L33 { C -Commun auxiliaire sec Ouverture
 NO-Contact sec NO
 NC-Contact sec NF
 L34 { C -Commun auxiliaire sec Fermeture
 NO-Contact sec NO
 NC-Contact sec NF

WIRING SCHEME 24 V DC

	Wire 1 with +
	Wire 3 with -
	Bridge between 3 and 4 opening
	Disconnected 4 closing
5	Open powered contact
6	Close powered contact
7	Heater
8	Heater
D1	Aux. common #1
D2	Aux. NO contact #1
D3	Aux. NC contact #1
C1	Aux. common #2
C2	Aux. NO contact #2
C3	Aux. NC contact #2

Cablage 1 avec "+"
 Cablage 3 avec "-"
 Pont entre 3 et 4 ouverture
 Dèbranché 4 fermeture
 5-Contact alimenté Ouvert
 6-Contact alimenté fermè
 7-Résistance chauffante
 8-Résistance chauffante
 L33 { C -Commun auxiliaire sec Ouverture
 NO-Contact sec NO
 NC-Contact sec NF
 L34 { C -Commun auxiliaire sec Fermeture
 NO-Contact sec NO
 NC-Contact sec NF

The following data is for information purpose only and may be subject to alteration without prior notice